

**Operator's manual Bedienungsanweisung
Manuel d'utilisation Manual de instrucciones
WS 440 HF**



Please read the operator's manual carefully and make sure you understand the instructions before using the machine.

Lesen Sie die Bedienungsanweisung sorgfältig durch und machen Sie sich mit dem Inhalt vertraut, bevor Sie das Gerät benutzen.

Lire attentivement et bien assimiler le manuel d'utilisation avant d'utiliser la machine.

Lea detenidamente el manual de instrucciones y asegúrese de entender su contenido antes de utilizar la máquina.

GB (2-20) DE (21-39)

FR (40-58) ES (59-77)

KEY TO SYMBOLS

Symbols on the machine:

WARNING! The machine can be a dangerous tool if used incorrectly or carelessly, which can cause serious or fatal injury to the operator or others.

Please read the operator's manual carefully and make sure you understand the instructions before using the machine.

Always wear:

- Approved protective helmet
- Approved hearing protection
- Protective goggles or a visor
- Breathing mask

This product is in accordance with applicable EC directives.

Environmental marking. Symbols on the product or its packaging indicate that this product cannot be handled as domestic waste. It must instead be submitted to an appropriate recycling station for the recovery of electrical and electronic equipment.

By ensuring that this product is taken care of correctly, you can help to counteract the potential negative impact on the environment and people that can otherwise result through the incorrect waste management of this product.

For more detailed information about recycling this product, contact your municipality, your domestic waste service or the shop from where you purchased the product.



Explanation of warning levels

The warnings are graded in three levels.

WARNING!



WARNING! Used if there is a risk of serious injury or death for the operator or damage to the surroundings if the instructions in the manual are not followed.

IMPORTANT!



IMPORTANT! Used if there is a risk of injury to the operator or damage to the surroundings if the instructions in the manual are not followed.

CAUTION!



CAUTION! Used if there is a risk of damage to materials or the machine if the instructions in the manual are not followed.

Other symbols/decals on the machine refer to special certification requirements for certain markets.

CONTENTS

Contents

KEY TO SYMBOLS

Symbols on the machine:	2
Explanation of warning levels	2

CONTENTS

Contents	3
----------------	---

PRESENTATION

Dear Customer,	4
Design and features	4
WS 440 HF	4

WHAT IS WHAT?

What is what on the wall saw?	6
-------------------------------------	---

MACHINE'S SAFETY EQUIPMENT

General	7
---------------	---

ASSEMBLING AND ADJUSTMENTS

Mount wall mountings and rail	8
Mount the saw carriage and saw	8
Fit the blade	9
Flush cutting	9
Fit the blade guard	10
Connect the power pack	10
Adjusting the blade guard guide	11
Adjusting the locking handle on the blade guard guide	11
Adjusting the guide wheels	11
Adjust the saw carriage	12

OPERATING

Protective equipment	13
General safety precautions	13
Work safety	14
Basic working techniques	15

STARTING AND STOPPING

Before starting	16
Starting	16
Stopping	16
Dismantling the saw	16
Cleaning	16

MAINTENANCE

Service	17
Maintenance	17
Daily maintenance	17

TECHNICAL DATA

WS 440 HF	18
EC Declaration of Conformity	20

PRESENTATION

Dear Customer,

Thank you for choosing a Husqvarna product!

It is our wish that you will be satisfied with your product and that it will be your companion for a long time. A purchase of one of our products gives you access to professional help with repairs and services. If the retailer who sells your machine is not one of our authorised dealers, ask him for the address of your nearest service workshop.

This operator's manual is a valuable document. Make sure it is always at hand at the work place. By following its content (using, service, maintenance etc.) the life span and the second-hand value of the machine can be extended. If you will sell this machine, make sure that the buyer will get the operator's manual.

More than 300 years of innovation

Husqvarna AB is a Swedish company based on a tradition that dates back to 1689, when the Swedish King Charles XI ordered the construction of a factory for production of muskets. At that time, the foundation was already laid for the engineering skills behind the development of some of the world's leading products in areas such as hunting weapons, bicycles, motorcycles, domestic appliances, sewing machines and outdoor products.

Husqvarna is the global leader in outdoor power products for forestry, park maintenance and lawn and garden care, as well as cutting equipment and diamond tools for the construction and stone industries.

Owner responsibility

It is the owner's/employer's responsibility that the operator has sufficient knowledge about how to use the machine safely. Supervisors and operators must have read and understood the Operator's Manual. They must be aware of:

- The machine's safety instructions.
- The machine's range of applications and limitations.
- How the machine is to be used and maintained.

National legislation could regulate the use of this machine. Find out what legislation is applicable in the place where you work before you start using the machine.

The manufacturer's reservation

All information and all data in the Operator's Manual were applicable at the time the Operator's Manual was sent to print.

Subsequent to publishing this manual Husqvarna may issue additional information for safe operation of this product. It is the owner's obligation to keep up with the safest methods of operation.

Husqvarna AB has a policy of continuous product development and therefore reserves the right to modify the design and appearance of products without prior notice.

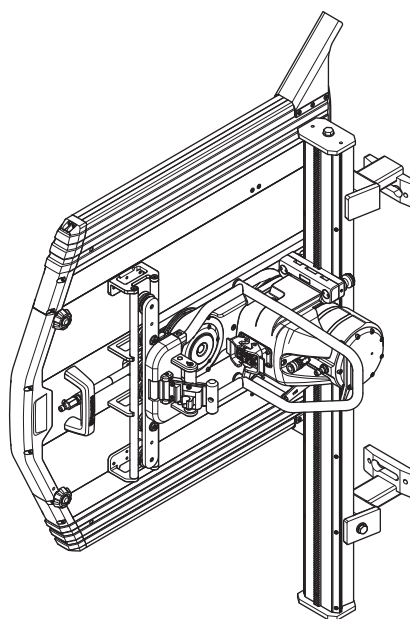
Design and features

The WS 220 is a rail mounted wall saw which is used with segmented diamond blades to cut hard materials such as reinforced concrete, stone and brick. During development of the WS 220, great focus has been placed on product weight and user-friendliness, in order to improve and streamline the operator's work environment. With its low weight, compact design and powerful high-frequency engine, the WS 220 is a wall saw which can handle most jobs. Designed for 600-900 mm blades, this saw is able to cut through wall thicknesses of up to 390 mm. The sawing system is stored on a compact transport trolley, which facilitates transportation to and from the workplace.

The Wall Saw is designed to cut hard materials like concrete or reinforcement and should not be used for any purpose not described in this manual. Safe operation of this product requires the operator to read this manual carefully. Ask your dealer or Husqvarna should you need more information.

Some of the unique features of your product are described below.

WS 440 HF



It is our wish that you will be satisfied with your product and that it will be your companion for a long time. Think of this operator's manual as a valuable document. By following its content (usage, service, maintenance, etc), the life span and the second-hand value of the machine can be extended. If you sell this machine, make sure that the operator's manual is passed on to the buyer.

A purchase of one of our products gives you access to professional help with repairs and services. If the retailer who sells your machine is not one of our authorised dealers, ask him for the address of your nearest service workshop.

Husqvarna Construction Products has a policy of continuous product development. Husqvarna reserves the right to modify the design and appearance of products without prior notice and without further obligation introduce design modifications.

PRESENTATION

General

- The powerful, water-cooled electric motor produces an impressive 13 kW to the spindle, even though the saw weighs just 25 kg (55 lbs).
- Spindle speed is electronically controlled and adjusted using the remote control for the power unit.
- Short distance between blade and track, for a straighter cut.
- Slip clutch for all movable components.
- The blade's direction of rotation can be controlled with the remote control which allows one to choose the direction of the water spray.
- Equipped with automatic blade brake that stops the blade within a few seconds.

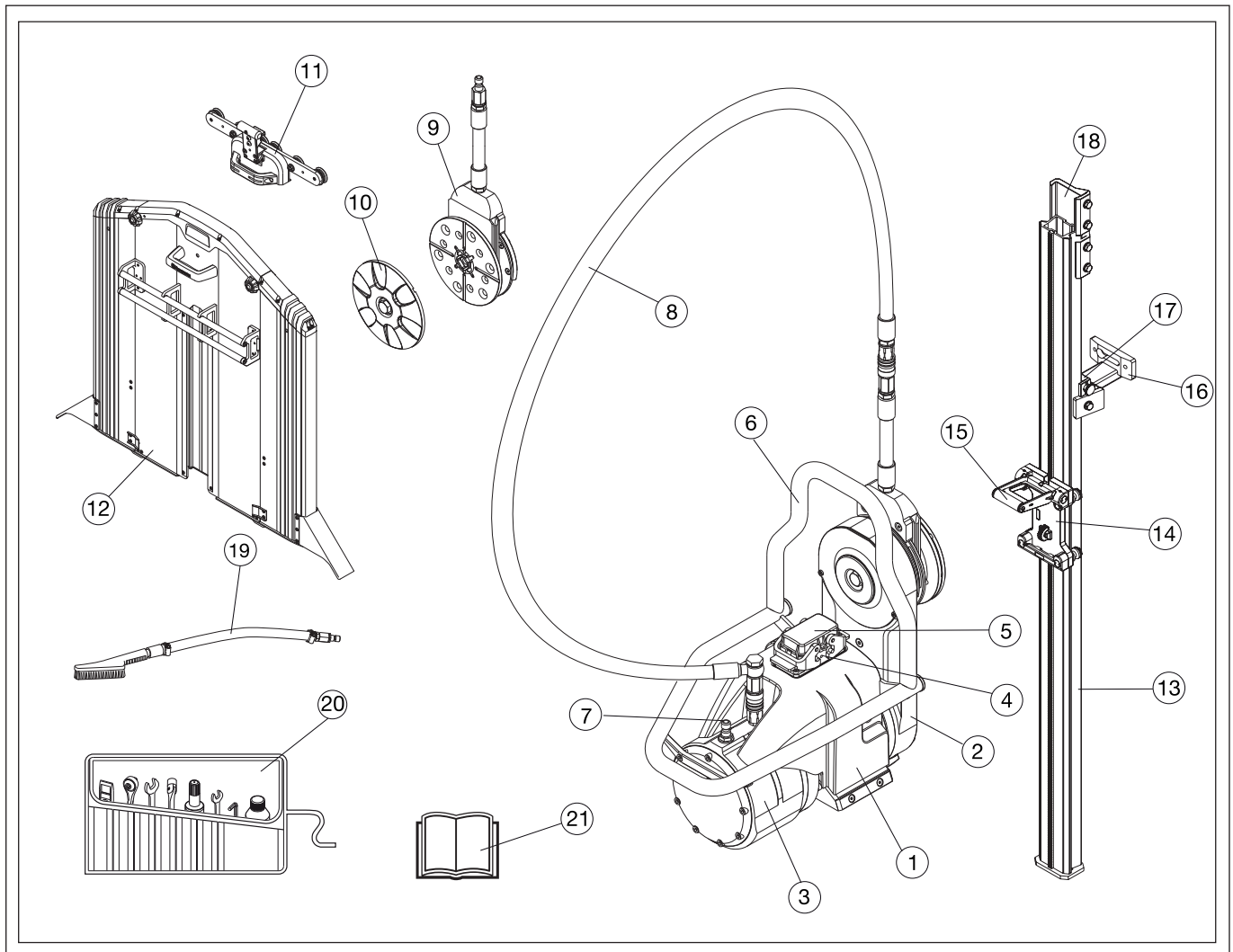
Complete saw equipment consists of:

- One saw
- One track 1.2 m + saw carriage
- One track 2 m + saw carriage
- Four wall mountings
- One track holder
- One connector
- One blade guard 800 or one blade guard 1000
- One blade guard guide
- One tool kit
- One bottle of Husqvarna oil 220
- Transport cases for the different units.
- Cleaning brush
- Screws for flush cutting.

The saw carriage is mounted on both the long and short rails at the factory to make cutting as easy as possible.

As a large part of the sawing work consists transporting, the saw equipment is supplied in specially produced cases. The cases provide good protection during transport and reduced the number of packages that need to be moved between the workplaces, which makes the work more effective.

WHAT IS WHAT?



What is what on the wall saw?

- | | |
|-----------------------------|----------------------|
| 1 Saw unit | 12 Blade guards |
| 2 Cutting arm | 13 Track |
| 3 Propulsion engine, blade | 14 Saw carriage |
| 4 Cable connection | 15 Locking handle |
| 5 Protective cover | 16 Wall mounting |
| 6 Handle/blade guard mount | 17 Track holder |
| 7 Hose connection, water in | 18 Connector |
| 8 Water hose | 19 Cleaning brush |
| 9 Blade flange hub | 20 Tool kit |
| 10 Outer blade flange | 21 Operator's manual |
| 11 Blade guard guide | |

MACHINE'S SAFETY EQUIPMENT

General

This section describes the machine's safety equipment, its purpose, and how checks and maintenance should be carried out to ensure that it operates correctly. See the "What is what?" section to locate where this equipment is positioned on your machine.



WARNING! Never use a machine that has faulty safety equipment! Safety equipment must be inspected and maintained. See instructions under the heading Checking, maintaining and servicing the machine's safety equipment. If your machine does not pass all the checks, take it to a service workshop for repair.

Blade guards

The blade guard must always be used when sawing. Make sure the blade guard is in working order and that the outer sections can be locked in place. Also check that the blade guard guide is adjusted correctly and that the locking mechanism in the blade guard guide for the saw is in working order (see the adjusting the blade guard guide section). Check that the blade is not in contact with the guard but is centred in the blade guard.

Locking handle

Make sure the locking handle on the saw carriage is correctly adjusted (see the adjust the saw carriage section) so that the saw unit sits securely on the carriage. Check that the locking pin can be fully inserted in the hole on the handle when in the locked position.

End stop on the rail

Make sure that end stops are mounted on the ends of the rails so that the saw does not come off the rails.

Power pack

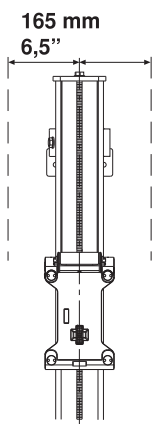
Make sure to check the safety equipment on the supplied power unit. See the power unit manual.

ASSEMBLING AND ADJUSTMENTS

Mount wall mountings and rail

Fit the wall mounting as set out below:

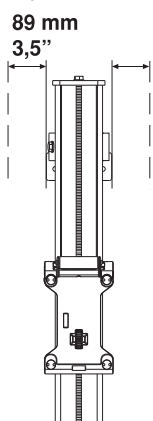
- 1 Mark off the cutting line and mark off the expander bolts holes 165 mm (6.5") from the cutting line.



- 2 Drill 15 mm (5/8") holes for the M12 (1/2") expander bolts.
- 3 Hang the wall mountings loosely from the expander bolts, using M6S 12 x 70 (1/2"x2") or similar.
- 4 Place the rail in the wall mountings and tighten the compression washers.

For vertical cuts, the rail must be mounted with the saw carriage lock handle upwards. This to facilitate fitting the saw unit.

- 5 Check that the rail is properly aligned with the tracks on the wall mounts before tightening the screws.
- 6 Adjust the distance between the cutting line and the wall mounting. The distance between the edge and the inner face of the saw cut should be 89 mm (3.5"). Tighten the expander bolts.



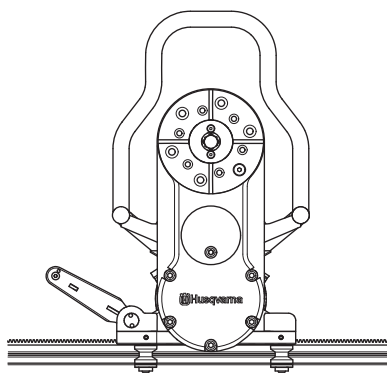
IMPORTANT! Only use the connectors supplied when purchasing the saw as older connectors are not designed for the WS 400 series.

Mount the saw carriage and saw

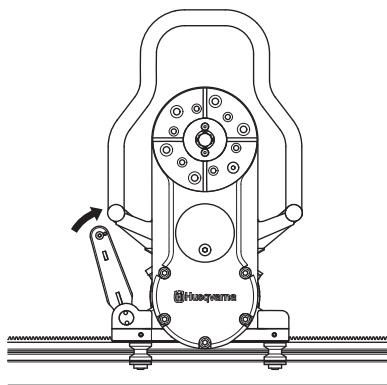


The saw carriage is mounted on the rail at delivery. The carriage can be dismounted from the rail by removing the end stop on the rail and pulling the carriage away.

- 1 Fit the saw body in the saw carriage by lifting the saw body into position. When the saw is lifted into position, the locking handle moves up into an intermediate position. In this position the saw remains in the saw carriage without it needing to be held. However, it is not sufficiently secured to begin cutting.



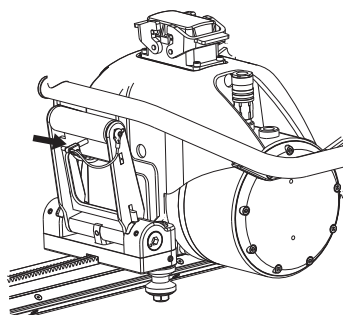
- 2 To secure the saw, lift the locking handle towards the saw until the handle locks.



WARNING! To cut without the saw securely assembled in the saw carriage and rail is associated with mortal danger.

Locking the handle

Lock the handle using the pin.



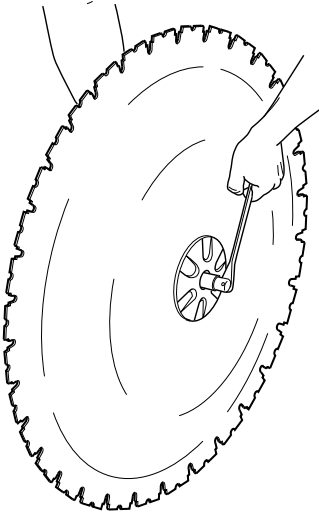
ASSEMBLING AND ADJUSTMENTS

Fit the blade

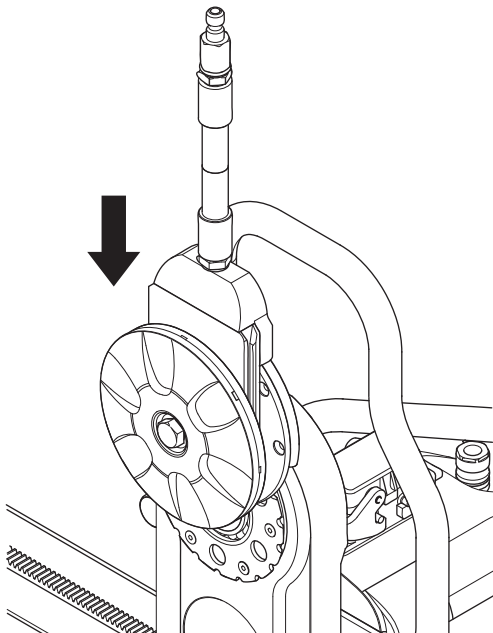


WARNING! Never mount or dismount the blade or blade guard without first pulling out the power cable running to the saw unit. Carelessness can result in serious personal injury or even death.

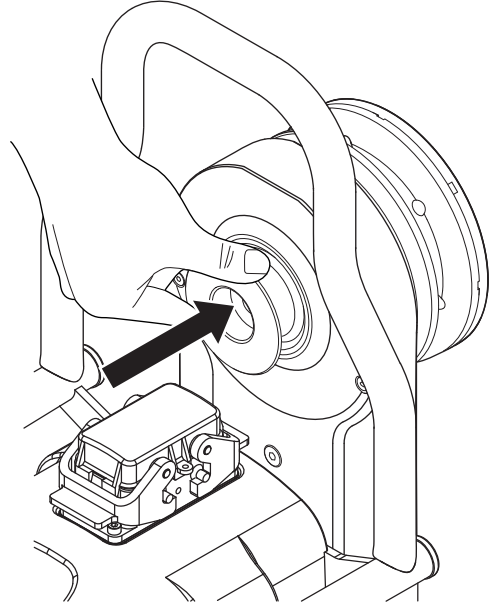
- 1 Start by removing any dirt from the contact surfaces on the blade flange and blade.
- 2 Check the blade's direction of rotation. The blade shall rotate with the exposed part of the diamond in the rotational direction of the blade. Since the blade rotation direction can be selected, the water spray from the blade can also be selected regardless of how the saw is turned on the rail.
- 3 Screw together the outer blade flange, blade and blade flange hub (tightening torque 70-80 Nm).



- 4 Hang the blade with the blade flange and blade flange hub fitted on the cutting arm (blade is not shown in the figure).



- 5 Turn the blade flange hub carefully so that it slides into one of the tracks in the pivot arm and lands in the correct position to be screwed fast.
- 6 Press in the blade shaft into the cutting arm at the same time as the blade is rotated carefully. When the blade spindle can no longer be pressed in by hand it should be tightened using the supplied 18-spanner until it is properly secured (tightening torque 70-80 Nm).

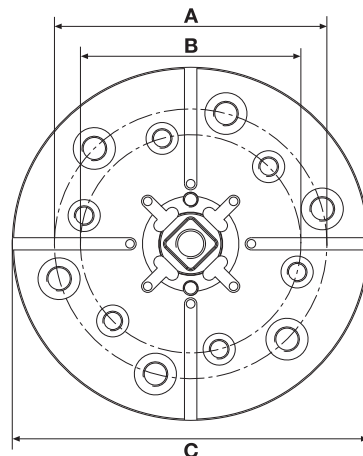


WARNING! Exercise care when assembling the blade so that it does not risk becoming loose when cutting. Carelessness can result in serious personal injury or even death.

Flush cutting



Screw off the outer blade flange and mount the blade on the blade flange hub.



A=110 mm/4.33 inch, 6xM10

B=89 mm/3.5 inch, 6xM8

C=144 mm/5.7 inch

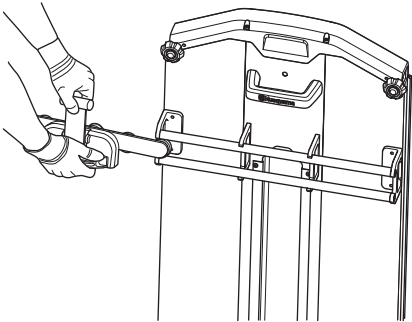
ASSEMBLING AND ADJUSTMENTS

Fit the blade guard

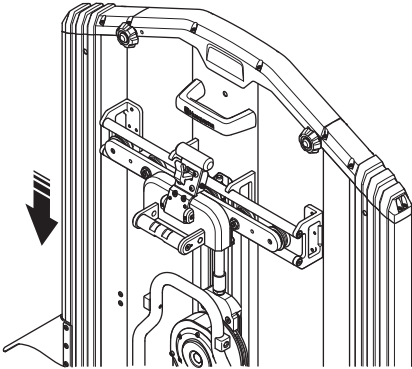


WARNING! Never mount or dismount the blade or blade guard without first pulling out the power cable running to the saw unit. Carelessness can result in serious personal injury or even death.

- 1 Slip in the blade guard guide between the stays on the blade guard. Place the blade guard guide in the middle. Lock the plastic heel on the handle to the upper stay on the blade guard.

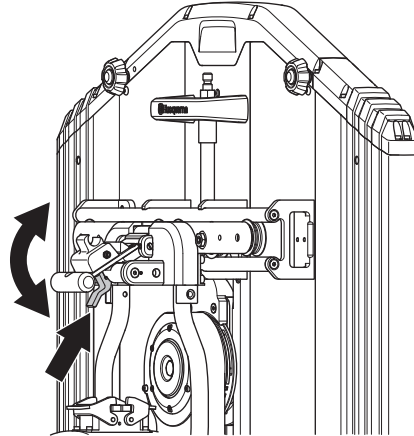


- 2 Make sure that the cutting arm is positioned vertically. Lift the blade guard over the blade and hang the guard in the blade guard holder on the saw. Exercise care so that the runners on the blade guard are positioned in the slots on the water block.



- 3 Lock the blade guard by pulling the handle out of the guard and then down towards the saw unit so that the latch locks the handle.

- 4 To remove the guard, release the latch and pull the handle upwards and inwards to the guard. Lock the plastic heel on the upper stay.



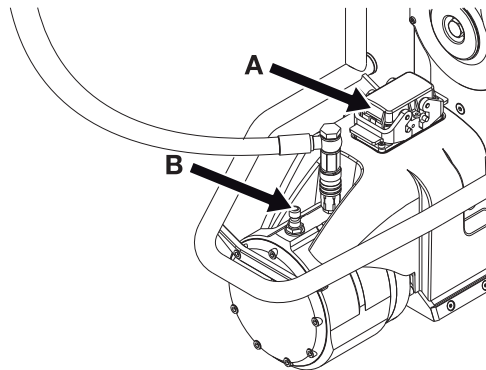
- 5 Connect the water hose from the out-coupling on the saw motor to the in-coupling on the blade flange hub.

Connect the power pack

IMPORTANT! This machine is only intended for use together with the Husqvarna PP 440 HF and PP 480 HF power units. All other use is forbidden.

Read through the manual supplied with the power pack before starting to use the machine.

When the saw unit, the blade and the blade guard are mounted, the power cable (A) and the water cooling (B) should be connected to the power pack.

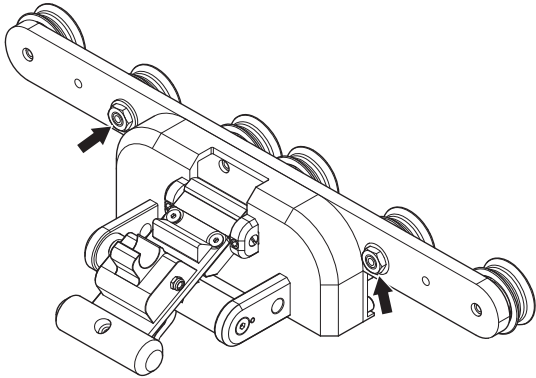


Once the power cable is connected to the saw, the carabiner on the cable must be attached to the saw unit to prevent pressure on the plug when in operation. The carabiner must be fastened to one of the bracket eyes on the handle which is screwed to the back of the drive motor.

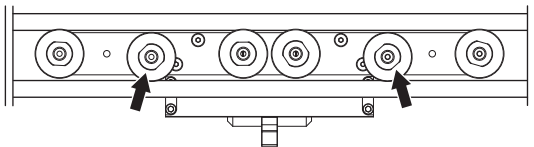
ASSEMBLING AND ADJUSTMENTS

Adjusting the blade guard guide

- Loosen the nuts on the two adjustable guide wheels.



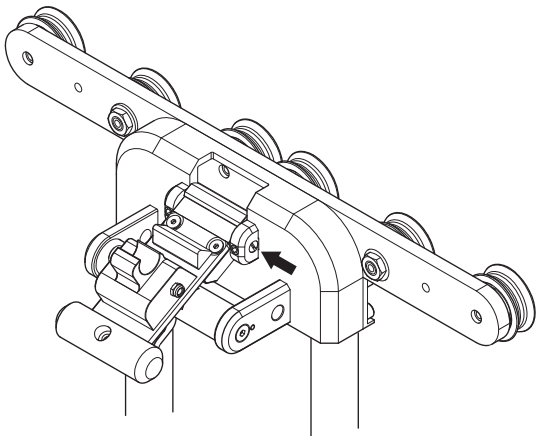
- Fit the blade guard guide to the blade guard.
- Turn the eccentric cam shafts with a 22 mm spanner until the guide wheels touch the rail.



- Hold the shaft in position with a 22 mm spanner and tighten the nut with a 16 mm spanner.
- Make sure the wheels turn easily and that there is no play in the blade guard guide.

Adjusting the locking handle on the blade guard guide

- Fit the blade guard guide to the saw unit.
- Loosen the two stop screws with a 3 mm allen key.
- Adjust the locking handle by turning the eccentric cam shaft with a screwdriver until the locking handle tightens around the blade guard bracket.



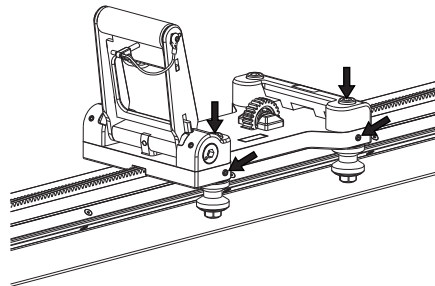
- Tighten the two stop screws with a 3 mm allen key.
- Remove the 4 screws that hold the snap-in lock in position with a 4 mm Allen key.
- Adjust the snap-in lock. The snap-in lock must tighten around the top rail.
- Tighten the 4 screws that hold the snap-in lock in place with a 4 mm Allen key.

Adjusting the guide wheels

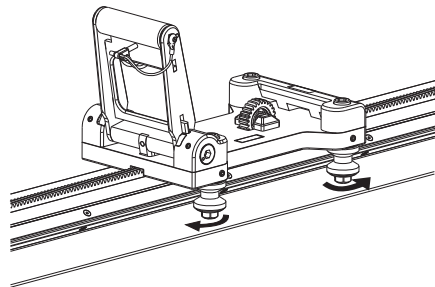
In order for the saw to run stably and saw a straight cut, the four guide wheels must rest against the rail and not have too much play.

Check the guide wheels before each cut. When there is too much play between the saw carriage and rail the guide wheels must be adjusted:

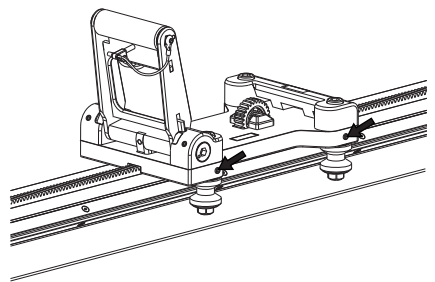
Loosen the two hexagon socket M10 screws with an 8 mm allen key. Also loosen the two stop screws which locks the two exentric guide wheels with an 3 mm allen key.



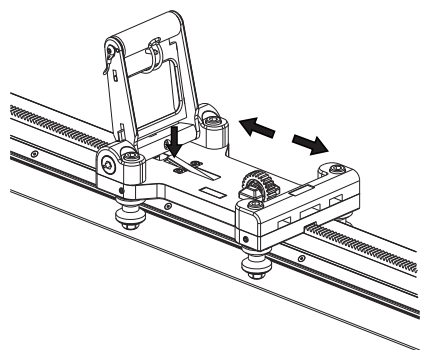
Turn the shafts gently with a 16mm wrench until the guide wheels rest against the rail.



Hold the 16 mm wrench in position and tighten the two stop screws with a 3 mm allen key.

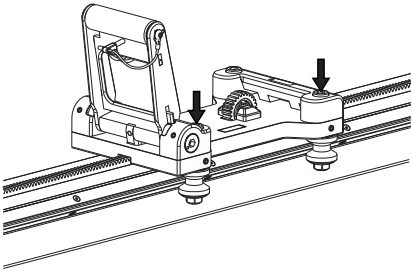


Press down the locking device and pull the saw carriage in both directions by hand. Carriage should slide easily with a slightly resistance. All 4 guide wheel should spin.



ASSEMBLING AND ADJUSTMENTS

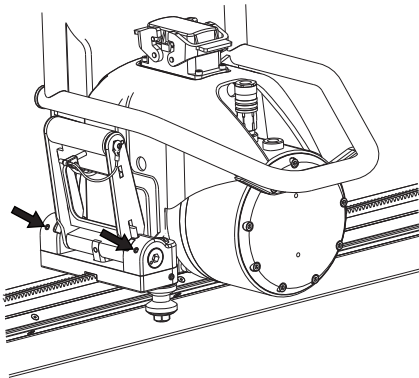
Tighten screws with a 8 mm allen key. Repeat the previous step.



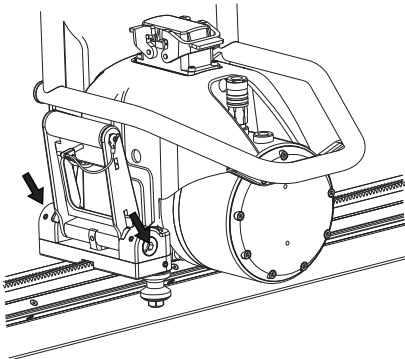
Adjust the saw carriage

As the saw wears, after a number of hours working, it can be a good idea to ensure that the saw sits firmly in the saw carriage and rail. If not, the handle probably needs adjusting:

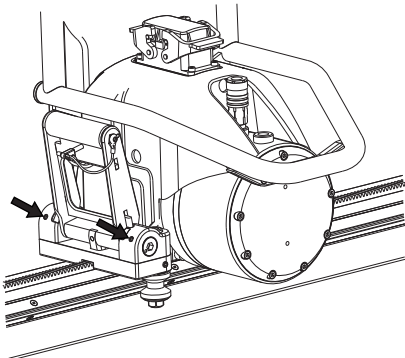
Loosen the two stop screws with a 3 mm allen key.



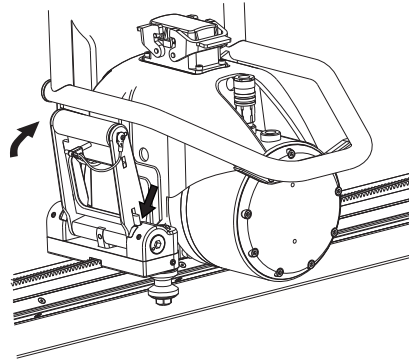
Turn the two excenter sleeves with a 8 mm allen key until the shaft is tight and parallel to the saw unit.



Tighten the two stop screws with a 3 mm allen key.



Make sure the locking handle is properly adjusted by open and close and see that the spring loaded lock is in locked position.



Then secure the locked handle with the locking pin.

OPERATING

Protective equipment

General

Do not use the machine unless you are able to call for help in the event of an accident.

Personal protective equipment

You must use approved personal protective equipment whenever you use the machine. Personal protective equipment cannot eliminate the risk of injury but it will reduce the degree of injury if an accident does happen. Ask your dealer for help in choosing the right equipment.



WARNING! The use of products such as cutters, grinders, drills, that sand or form material can generate dust and vapours which may contain hazardous chemicals. Check the nature of the material you intend to process and use an appropriate breathing mask.

Long-term exposure to noise can result in permanent hearing impairment. So always use approved hearing protection. Listen out for warning signals or shouts when you are wearing hearing protection. Always remove your hearing protection as soon as the engine stops.

There is always a risk of crush injuries when working with products containing moving parts. Wear protective gloves to avoid body injuries.

Always wear:

- Approved protective helmet
- Hearing protection
- Protective goggles or a visor
- Breathing mask
- Heavy-duty, firm grip gloves.
- Tight-fitting, heavy-duty and comfortable clothing that permits full freedom of movement.
- Boots with steel toe-caps and non-slip sole.

Be careful as clothing, long hair, and jewellery can get caught in moving parts.

Other protective equipment



WARNING! Sparks may appear and start a fire when you work with the machine. Always keep fire fighting equipment handy.

- Fire fighting equipment
- Always have a first aid kit nearby.

General safety precautions



WARNING! Read all safety warnings and all instructions. Failure to follow the warnings and instructions may result in electric shock, fire and/or serious injury.

This section describes basic safety directions for using the machine. This information is never a substitute for professional skills and experience. If you get into a situation where you feel unsafe, stop and seek expert advice. Contact your dealer, service agent or an experienced user. Do not attempt any task that you feel unsure of!

- Please read the operator's manual carefully and make sure you understand the instructions before using the machine.
- This machine is only intended for use together with the Husqvarna PP 440 HF and PP 480 HF power units. All other use is forbidden.
- Read through the manual supplied with the power pack before starting to use the machine.
- The machine can cause serious personal injury. Read the safety instructions carefully. Learn how to use the machine.
- This machine is designed for and intended for sawing concrete, brick and different stone materials. All other use is improper.
- Keep in mind that the operator is responsible for accidents or hazards occurring to other people or their property.
- All operators shall be trained in the use of the machine. The owner is responsible for ensuring that the operators receive training.
- The machine must be kept clean. Signs and stickers must be fully legible.



WARNING! The machine can be a dangerous tool if used incorrectly or carelessly, which can cause serious or fatal injury to the operator or others.

Never allow children or other persons not trained in the use of the machine to use or service it. Never allow anyone else to use the machine without first ensuring that they have read and understood the contents of the operator's manual.

Never use the machine if you are tired, if you have drunk alcohol, or if you are taking medication that could affect your vision, your judgement or your co-ordination.

WARNING! Unauthorized modifications and/or accessories may lead to serious injury or death to the user or others.

Do not modify this product or use it if it appears to have been modified by others.

Never use a machine, battery or battery charger that is faulty. Carry out the checks, maintenance and service instructions described in this manual. Some maintenance and service measures must be carried out by trained and qualified specialists. See instructions under the heading Maintenance. Only use original spare parts.

OPERATING

Work safety

Do not use the machine without first reading and understanding the contents of this Operator's Manual.

Work area safety

- Always check the back of the wall where the blade comes out when cutting through. Secure, cordon off and make sure that no people can be injured or materials damaged.
- Always check and mark out where gas pipes are routed. Cutting close to gas pipes always entails danger. Make sure that sparks are not caused when cutting in view of the risk of explosion. Remain concentrated and focused on the task. Carelessness can result in serious personal injury or death.
- Make sure that no pipes or electrical cables are routed in the working area or in the material to be cut.
- Make sure that electrical cables within the working area are not live.
- Make sure that no people or animals come closer than 4 m (15 ft) when the machine is running.
- Do not use the machine in bad weather, such as dense fog, rain, strong wind, intense cold, etc. Working in bad weather is tiring and can lead to dangerous conditions, e.g. slippery surfaces.
- Ensure that the working area is sufficiently illuminated to create a safe working environment.
- Always ensure you have a safe and stable working position.

Electrical safety



WARNING! There is always a risk of shocks from electrically powered machines. Avoid unfavourable weather conditions and body contact with lightning conductors and metal objects. Always follow the instructions in the Operator's manual to avoid damage.

- Never carry the machine by holding the cable and never pull the plug by pulling the cable.
- Keep all cables away of water, oil and sharp edges. Make sure the cable is not pinched in doors, fences or the like. It can cause the object to become live.
- Check that the cables are intact and in good condition. Use cable intended for outdoor use.
- Never use the machine if any cable is damaged, but hand it in to an authorized service workshop for repair.
- The machine should be connected to an earthed outlet socket.
- Check that the mains voltage corresponds with that stated on the rating plate on the machine.

Personal safety

- Never leave the machine unsupervised with the motor running.
- Never saw in such a way that you cannot easily reach the emergency stop on the remote control or on the power pack. See power pack manual.
- Make sure that there is always another person close at hand when you use the machines, so that you can call for help if an accident should occur.
- People that need to be in close proximity of the machine must wear hearing protection as the sound level when cutting exceeds 85 dB(A).
- Observe care when lifting. You are handling heavy parts, which imply the risk of pinch injuries or other injuries.
- People and animals can distract you causing you to lose control of the machine. For this reason, always remain concentrated and focused on the task.
- Be careful as clothing, long hair, and jewellery can get caught in moving parts.

Use and care

- Check that the blade guard is not damaged and that it has been fitted correctly.
- Never use blades other than original blades designed for the machine. Check with your Husqvarna dealer to see which blades are best suited for your usage.
- Never use a damaged or worn blade.
- Never mount or dismount the blade or blade guard without first pulling out the power cable running to the saw unit.
- Never pull out the power cable without first switching off the power pack and waiting for the engine to come to a complete halt.
- Never cut without using the blade guard.
- Check that the blade is not in contact with anything when the machine is started.
- Remain at a distance from the blade when the engine is running.
- Water cooling must always be used. This cools the blades and increases their life and prevents dust build-up.
- Check that all couplings, connections and cables are intact and free from dirt.
- Clearly mark out all cuts to be made before you start sawing, plan these so they can be carried out without danger to persons or the machine.
- Firmly secure or anchor concrete blocks before cutting. The heavy weight of cut material can cause both extensive damage to the machine and serious personal injury if it cannot be moved under controlled conditions.

Transport and storage

- Always switch off the power pack and pull out the electric cable before moving the equipment.
- Dismount the blade and blade guard before transport and storage.
- Store the equipment in a lockable area so that it is out of reach of children and unauthorized persons.
- If there is a risk of freezing, the machine must be drained of any remaining water coolant.
- Use the cases provided to store the equipment.

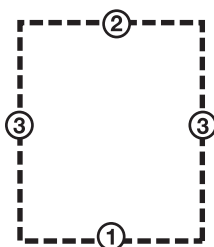
Basic working techniques



- Always start by cutting a pilot cut. This is done by feeding the blade 3-7 cm (1,2"-2,8"). Now make the pilot cut. The cut should not be made at maximum speed, but with care in order to obtain a straight cut and with that a basis for the next cut. The cutting arm allows blades up to 1 000 mm (40") to be used as the start blade. It is, however, recommended to start cutting with an 800 mm (31.5") blade.
- When the pilot cut is finished, a deeper cut can be made. The depth of these is determined from instance to instance and depends on factors such as hardness of the concrete, existence of reinforcing bar, etc. Max. diameter of the blade for deeper cuts is 1,200 mm (47").
- If you change blades to cut deeper in the same cut, make sure the thickness of the blade matches the width of the groove.
- Let the machine work without forcing or pressing the blade.
- Firmly secure or anchor concrete blocks before cutting. The heavy weight of cut material can cause both extensive damage to the machine and serious personal injury if it cannot be moved under controlled conditions.

Cutting of blocks

- First make the lower horizontal cut. Now make the upper horizontal cut. Finish with the two vertical cuts.



- If the upper horizontal cut is made before the lower horizontal cut, the work piece will fall on the blade and jam it.
- When making the last cut, the saw should be mounted on an adjacent fixed wall.
- As the rail is symmetrical, the saw unit can be turned to make a new cut on the other side of the rail. In this way a cut piece is obtained that is in an easily handled size, making it easier to remove from the workplace.
- Since the blade rotation direction can be selected, the water spray from the blade can also be selected regardless of how the saw is turned on the rail.

STARTING AND STOPPING

Before starting

- Enclose the area to be cut so that unauthorised persons can not be injured or disturb the operator.
- Check that the blade and the blade guard is not damaged or cracked. Replace the blade or the blade guard if it has been exposed to impact or is cracked.
- Check that all cables and the water supply are correctly connected to the machine before starting it.
- If cutting is to begin in another position than where the saw unit is located, run the saw unit to the start position.

Starting

Follow the instructions for starting in the manual supplied with the power pack.

Stopping

- Once cutting is completed, remove the blade from the wall and shut down the blade rotation and the water flow.
- Turn off the power pack.

Dismantling the saw

- 1 Allow the motor to stop completely.
- 2 Disengage the power supply for the power pack.
- 3 Turn off and disconnect inflowing water to the power pack.
- 4 Disengage the power cable and the water hose from the saw unit.
- 5 The other steps are done in the reverse order to assembling.

Cleaning

The saw should be cleaned once cutting is finished. It is important to clean all the saw equipment. The saw is best cleaned with the supplied cleaning brush by connecting it to the water hose.

IMPORTANT! Do not use a high pressure washer to clean the saw.

MAINTENANCE

Service

IMPORTANT! All types of repairs may only be carried out by authorised repairmen. This is so that the operators are not exposed to great risks.

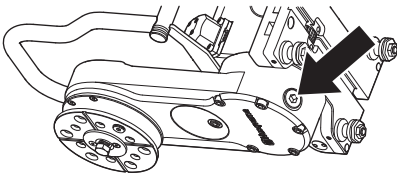
After 100 hours of operation, the message "Time for servicing" is displayed. The entire equipment shall then be taken to an authorized Husqvarna dealer for servicing.

Maintenance

IMPORTANT! Inspection and/or maintenance should be carried out with the motor switched off and the plug disconnected.

Oil change cutting arm

- There is an oil plug for draining the oil located on the cutting arm. This plug should be cleaned when changing the oil. The new oil is filled through the hole where the oil plug sits.

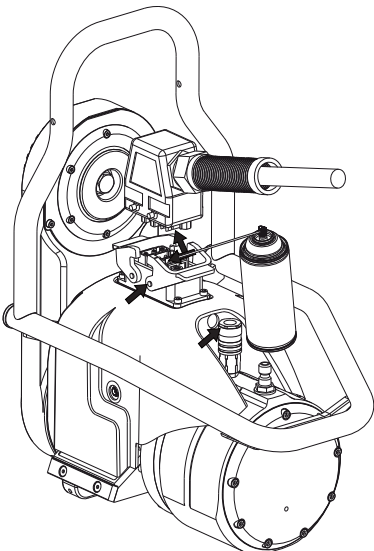


- The cutting arm contains 3 dl of Husqvarna Oil 220, a transmission oil of the type EP 220. The oil should be replaced for the first time in connection with the first service. A 3 dl bottle of oil is supplied when the machine is new.

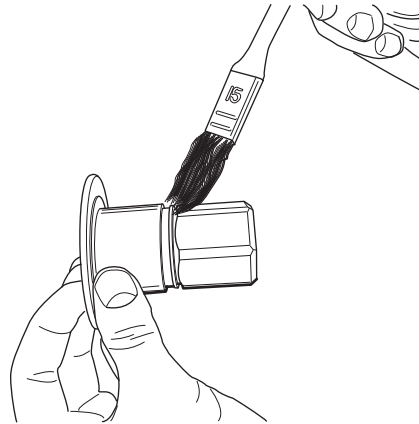
IMPORTANT! Used engine oil and transmission oil is hazardous to health and must not be disposed of in the ground or out of doors.

Daily maintenance

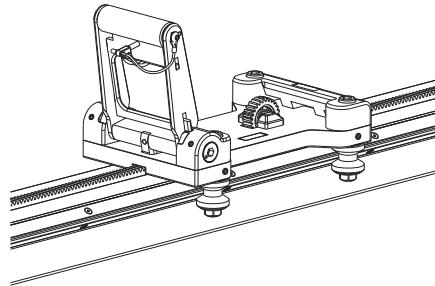
- 1 Check that all couplings, connections and cables are intact and free from dirt. Use a brush or a cloth and wipe clean, lubricate the contact's pins and locking catches with a lubricating and cleaning spray. Make sure the contacts fit tightly against each other when the catches are locked. Also lubricate the water couplings' sleeves.



- 2 In order to fit the blade shaft as easily as possible in the blade flange, it is sometimes necessary to clean and lubricate it. Check daily that the blade shaft turns freely and that the hexagon is not damaged.



- 3 Check that the saw carriage is correctly adjusted with respect to the guide wheels and that the locking handle is correctly adjusted. See the adjustment section for instructions.



- 4 Make sure the blade and blade guard are not damaged and cracked or damaged in any other way. Replace the blade guard and/or blade if they have been exposed to abnormal wear. Also check that the blade guard guide wheel turns without too much resistance, and that the guide is correctly aligned with the blade guard and the saw. See the assembly and settings when adjusting sections.
- 5 Check that the hoses and cables are intact.
- 6 Clean the outside of the machine. Do not use a high pressure washer to clean the saw.

TECHNICAL DATA

WS 440 HF

Weight

Saw carriage, kg/lbs	3,7/8,2
Saw unit, kg/lbs	25/55,1
Blade guard 800 mm, kg/lbs	13/28,7
Blade guard 1000 mm, kg/lbs	16/35,3
Track 1200 mm (47") kg/lbs	9,5/20,9
Track 2000 mm (79") kg/lbs	19

Blade size

Blade size - max, mm/inches	1200/47,2
Blade size - min, mm/inches	600/23,6
Starting blade - max, mm/inches	1000/39,4

Saw depth - max, mm/inch	530/20,9
--------------------------	----------

Motor for saw blade drive	PM High cycle
Spindle output - max, kW	13
Power train	Gear drive
Output speed, rpm	0-1225
Feedingsystem/control	Electric/auto

Drive torque at saw blade - max, Nm	125
Starting torque, Nm	100

Cooling water temp. in at 3,5 l/min - max, C	25
Cooling water pressure - max, bar	7

Protection class	IP 65
------------------	-------

Noise emissions (see note 1)

Sound power level, measured dB (A)	108
Sound power level, guaranteed L _{WA} dB (A)	109

Sound levels (see note 2)

Sound pressure level at the operators ear, dB(A)	85
--	----

Note 1: Noise emissions in the environment measured as sound power (L_{WA}) in conformity with EN 15027/A1.

Note 2: Noise pressure level according to EN 15027/A1. Reported data for noise pressure level has a typical statistical dispersion (standard deviation) of 1.0 dB(A).

TECHNICAL DATA

Recommended blade speed



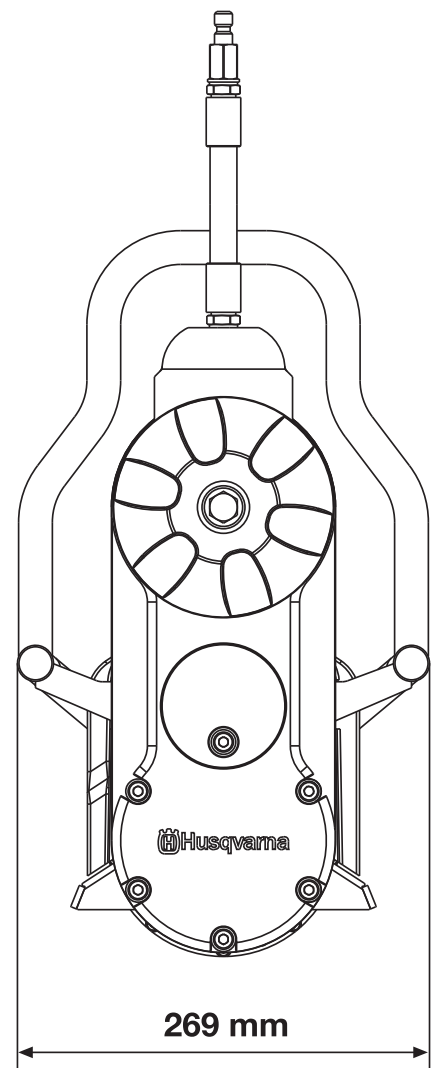
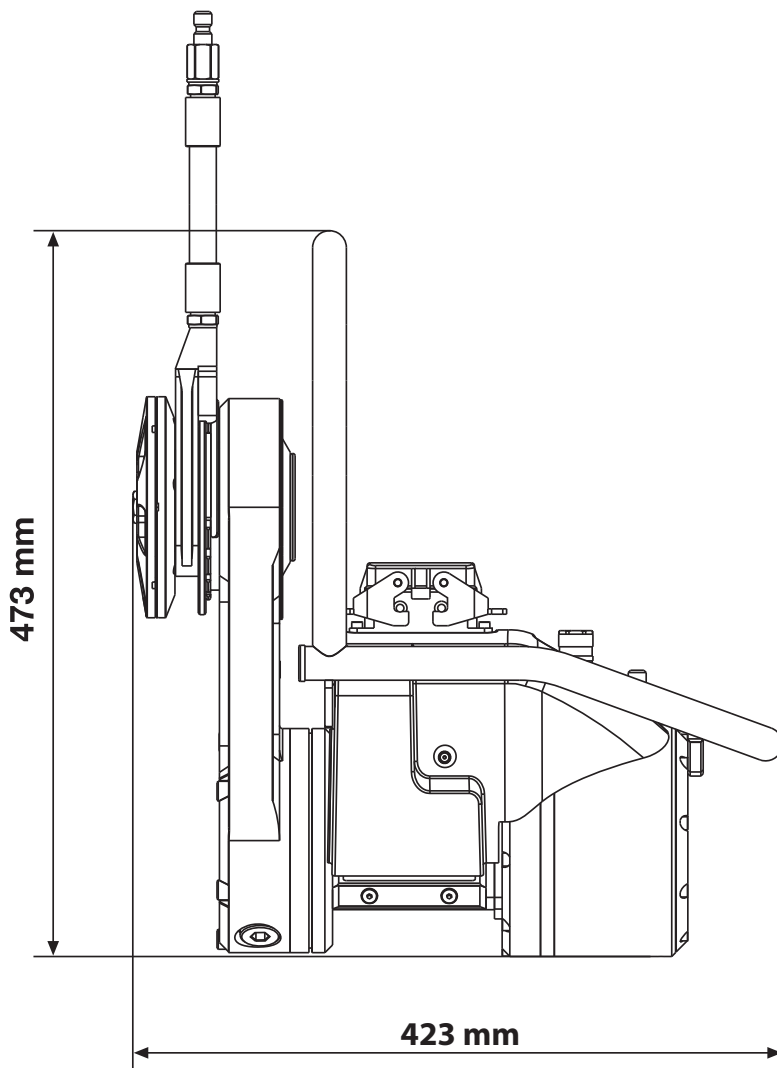
WARNING! Cutting at too high revs can cause damage to the blade and lead to personal injury.

Follow the blade manufacture's recommendations regarding material and blade speed when choosing blade. A lower blade speed should be used when cutting in hard concrete than if cutting in soft concrete.

	600 mm (24")	800 mm (32")	1000 mm (40")	1200 mm (48")
600 rpm				Dark Grey
700 rpm			Dark Grey	Medium Grey
800 rpm			Medium Grey	Light Grey
900 rpm		Dark Grey	Light Grey	
1000 rpm		Medium Grey		
1100 rpm	Dark Grey	Light Grey		
1200 rpm	Medium Grey			

Concrete	
Dark Grey	Hard
Medium Grey	Medium
Light Grey	Soft

Dimensions



TECHNICAL DATA

EC Declaration of Conformity

(Applies to Europe only)

Husqvarna AB, SE-561 82 Huskvarna, Sweden, tel: +46-36-146500, declares under sole responsibility that the wall saw **Husqvarna WS 440 HF**, from 2010's serial numbers and onwards (the year is clearly stated in plain text on the rating plate with subsequent serial number), conforms with the requirements of the COUNCIL'S DIRECTIVE:

- of May 17, 2006 "relating to machinery" **2006/42/EC**.
- of December 15, 2004 "relating to electromagnetic compatibility" **2004/108/EC**.
- of December 12, 2006 "relating to electrical equipment" **2006/95/EC**.
- of June 08, 2011 on the 'restriction of use of certain hazardous substances' **2011/65/EU**

The following standards have been applied: EN ISO 12100:2010, EN 55014-1:2006, EN 55014-2/A1:2001, EN 61000-3-11:2000, EN 15027/A1:2009.

Gothenburg, 12 April 2015



Helena Grubb

Vice President, Construction Equipment

Husqvarna AB

(Authorized representative for Husqvarna AB and responsible for technical documentation.)

SYMBOLERKLÄRUNG

Symbole am Gerät:

WARNUNG! Das Gerät kann falsch oder nachlässig angewendet gefährlich sein und zu schweren oder gar lebensgefährlichen Verletzungen des Benutzers oder anderer Personen führen.



Lesen Sie die Bedienungsanweisung sorgfältig durch und machen Sie sich mit dem Inhalt vertraut, bevor Sie das Gerät benutzen.



Benutzen Sie immer:

- Einen zugelassenen Schutzhelm
- Einen zugelassenen Gehörschutz
- Schutzbrille oder Visier
- Atemschutzmaske



Dieses Produkt stimmt mit den geltenden CE-Richtlinien überein.



Umweltkennzeichnung. Das Symbol auf dem Produkt oder der Verpackung gibt an, dass dieses Produkt nicht im Hausmüll entsorgt werden darf. Zur Entsorgung ist es stattdessen an eine entsprechende Recyclinganlage für elektrische und elektronische Geräte zu übergeben.



Durch eine korrekte Entsorgung dieses Produkts tragen Sie dazu bei, mögliche negative Auswirkungen auf Ihre Umwelt und Mitmenschen zu verhindern. Durch eine unsachgemäße Entsorgung dieses Produkts können Schäden entstehen.

Ausführliche Recyclinginformationen zu diesem Produkt erhalten Sie von Ihrer Kommune, Entsorgungsunternehmen für Hausmüll oder dem Geschäft, in dem Sie das Produkt erworben haben.

Erläuterung der Warnstufen

Es bestehen drei unterschiedliche Warnstufen.

WARNUNG!



WARNUNG! Nichtbeachtung der Anweisungen in diesem Handbuch kann zu Verletzungen bzw. zum Tod des Bedieners oder zu Beschädigungen in der Umgebung führen.

WICHTIG!



WICHTIG! Nichtbeachtung der Anweisungen in diesem Handbuch kann zur Verletzung des Bedieners bzw. zu Beschädigungen in der Umgebung führen.

ACHTUNG!



ACHTUNG! Nichtbeachtung der Anweisungen in diesem Handbuch kann zu Beschädigungen der Umgebung bzw. der Maschine führen.

Sonstige Symbole/Aufkleber am Gerät beziehen sich auf spezielle Zertifizierungsanforderungen, die in bestimmten Ländern gelten.

INHALT

Inhalt

SYMBOLERKLÄRUNG

Symbole am Gerät:	21
Erläuterung der Warnstufen	21

INHALT

Inhalt	22
--------------	----

VORSTELLUNG

Sehr geehrter Kunde!	23
Konstruktion und Funktionen	23
WS 440 HF	23

WAS IST WAS?

Was ist was an der Wandsäge?	25
------------------------------------	----

SICHERHEITSAUSRÜSTUNG DES GERÄTES

Allgemeines	26
-------------------	----

MONTAGE UND EINSTELLUNGEN

Wandbefestigungen und Schiene montieren	27
Sägewagen und Schneideinheit montieren	27
Klinge montieren	28
Flachschneiden	28
Trennscheibenschutz montieren	29
Aggregat anschließen	29
Einstellung der Klingenschutzführung	30
Justieren des Sperrgriffs an der Klingenschutzführung	30
Führungsräder justieren	30
Trennschleifer im Sägewagen justieren	31

BETRIEB

Schutzausrüstung	32
Allgemeine Sicherheitsvorschriften	32
Arbeitssicherheit	33
Grundlegende Arbeitstechnik	34

STARTEN UND STOPPEN

Vor dem Start	35
Starten	35
Stoppen	35
Demontage des Trennschleifers	35
Reinigung	35

WARTUNG

Service	36
Wartung	36
Tägliche Wartung	36

TECHNISCHE DATEN

WS 440 HF	37
EG-Konformitätserklärung	39

Sehr geehrter Kunde!

Vielen Dank, dass Sie sich für ein Produkt von Husqvarna entschieden haben.

Wir hoffen, dass Sie mit Ihrer Maschine über lange Jahre zufrieden sein werden. Mit dem Erwerb unserer Produkte erhalten Sie professionelle Hilfe bei Reparaturen und Service. Haben Sie das Gerät nicht bei einem unserer Vertragshändler gekauft, fragen Sie dort nach der nächsten Servicewerkstatt.

Diese Bedienungsanleitung ist ein wertvolles Dokument. Halten Sie die Bedienungsanleitung stets griffbereit. Die genaue Befolgung ihres Inhalts (Verwendung, Service, Wartung usw.) verlängert die Lebensdauer der Maschine erheblich und erhöht zudem ihren Wiederverkaufswert. Sollten Sie Ihre Maschine verkaufen, händigen Sie dem neuen Besitzer bitte auch die Bedienungsanleitung aus.

Über 300 Jahre Innovationsgeschichte

Husqvarna ist ein schwedisches Unternehmen, dessen Geschichte bis ins Jahr 1689 zurückreicht, als König Karl XI eine Fabrik errichten ließ, in der Musketen gefertigt werden sollten. Damit wurden die Grundlagen einer erfolgreichen Firmengeschichte gelegt, in deren Verlauf bahnbrechende technische Neuerungen in Bereichen wie Waffensysteme, Fahr- und Motorräder, Haushaltsgeräte, Nähmaschinen und Gartenprodukte auf den Markt gebracht werden konnten.

Husqvarna gilt als führender Anbieter von Geräten zur Garten- und Waldpflege sowie von Schneidgeräten und Diamantwerkzeugen für die Bau- und Steinindustrie.

Pflichten des Betreibers

Der Betreiber ist verpflichtet, nur entsprechend ausgebildete Personen mit der Bedienung der Maschine zu betrauen. Aufsichtspersonen und Bediener haben sämtliche Anweisungen in diesem Handbuch zur Kenntnis zu nehmen. Insbesondere ist auf Folgendes zu achten:

- Sicherheitshinweise
- Vorgesehene Anwendungsbereiche
- Nutzungs- und Wartungshinweise

Die Benutzung dieser Maschine könnte durch ein nationales Gesetz geregelt sein. Finden Sie heraus, welche Gesetze Anwendung finden, bevor Sie mit der Benutzung der Maschine beginnen.

Vorbehaltsbestimmungen des Herstellers

Alle Informationen und Daten dieser Bedienungsanleitung galten zum Zeitpunkt der Drucklegung.

Es ist möglich, dass Husqvarna nach der Veröffentlichung dieses Handbuchs weitere Informationen zum sicheren Betrieb dieses Produkts herausgibt. Der Betreiber ist verpflichtet, stets über die sichersten Betriebsverfahren informiert zu sein.

Die Husqvarna AB arbeitet ständig an der Weiterentwicklung ihrer Produkte und behält sich daher das Recht auf Änderungen ohne vorherige Ankündigung, z. B. von Form und Aussehen, vor.

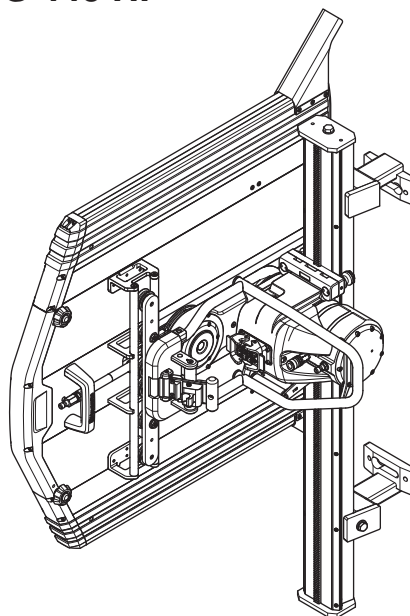
Konstruktion und Funktionen

Bei der WS 220 handelt es sich um eine schienenmontierte Wandsäge, die mit segmentierten Diamantklingen verwendet wird, um harte Materialien zu schneiden, wie beispielsweise Stahlbeton, Stein und Mauerwerk. Bei der Entwicklung der WS 220 wurde größter Wert auf das Produktgewicht und die Benutzerfreundlichkeit gelegt, um die Benutzerarbeitsumgebung zu optimieren und zu rationalisieren. Mit ihrem geringen Gewicht, der kompakten Auslegung und dem leistungs- und drehzahlstarken Motor ist die WS 220 eine Wandsäge, die mit fast allen Aufgaben fertig wird. Sie ist für 600- bis 900-mm-Klingen ausgelegt und kann durch Wanddicken von bis zu 390 mm schneiden. Das Sägesystem wird auf einem kompakten Transportwagen geführt, der das Transportieren zum und vom Arbeitsplatz erleichtert.

Die Wandsäge ist dafür konzipiert, harte Materialien wie Beton oder Stahlbeton zu schneiden und darf ausschließlich für in diesem Handbuch beschriebene Zwecke verwendet werden. Ein sicherer Betrieb dieses Produkts setzt voraus, dass der Betreiber dieses Handbuch aufmerksam durchliest. Weitere Informationen erhalten Sie von Ihrem Händler oder Husqvarna.

Hier werden einige der Funktionen aufgeführt, die unseren Produkten das entscheidende Plus an Qualität verleihen.

WS 440 HF



Wir hoffen, dass Sie mit Ihrer Maschine über lange Jahre zufrieden sein werden. Denken Sie daran, diese Bedienungsanleitung sicher aufzubewahren. Die genaue Befolgung ihres Inhalts (Verwendung, Service, Wartung usw.) verlängert die Lebensdauer der Maschine erheblich und erhöht zudem ihren Wiederverkaufswert. Sollten Sie Ihre Maschine verkaufen, händigen Sie dem neuen Besitzer bitte auch die Bedienungsanleitung aus.

Mit dem Erwerb unserer Produkte erhalten Sie professionelle Hilfe bei Reparaturen und Service. Haben Sie das Gerät nicht bei einem unserer Vertragshändler gekauft, fragen Sie dort nach der nächsten Servicewerkstatt.

Husqvarna Construction Products ist stets bestrebt, die Konstruktion der Produkte zu verbessern. Husqvarna behält sich daher das Recht vor, ohne vorherige Ankündigung und ohne weitere Verpflichtungen Konstruktionsänderungen einzuführen.

Allgemeines

- Der leistungsstarke, wassergekühlte Elektromotor überträgt eine beeindruckende Leistung von 13 kW auf die Spindel, obwohl die Säge nur 25 kg wiegt.
- Die Spindelgeschwindigkeit wird über die Fernbedienung des Aggregats elektronisch gesteuert und angepasst.
- Kurze Entfernung zwischen Klinge und Schiene für geradere Schnitte.
- Rutschkupplung für alle beweglichen Komponenten.
- Die Rotationsrichtung der Klinge kann mittels der Fernbedienung gesteuert werden, wodurch auch die Richtung des Spritzwassers bestimmt werden kann.
- Mit automatischer Trennscheibenbremse, die Trennscheibe innerhalb weniger Sekunden zum Stillstand bringt.

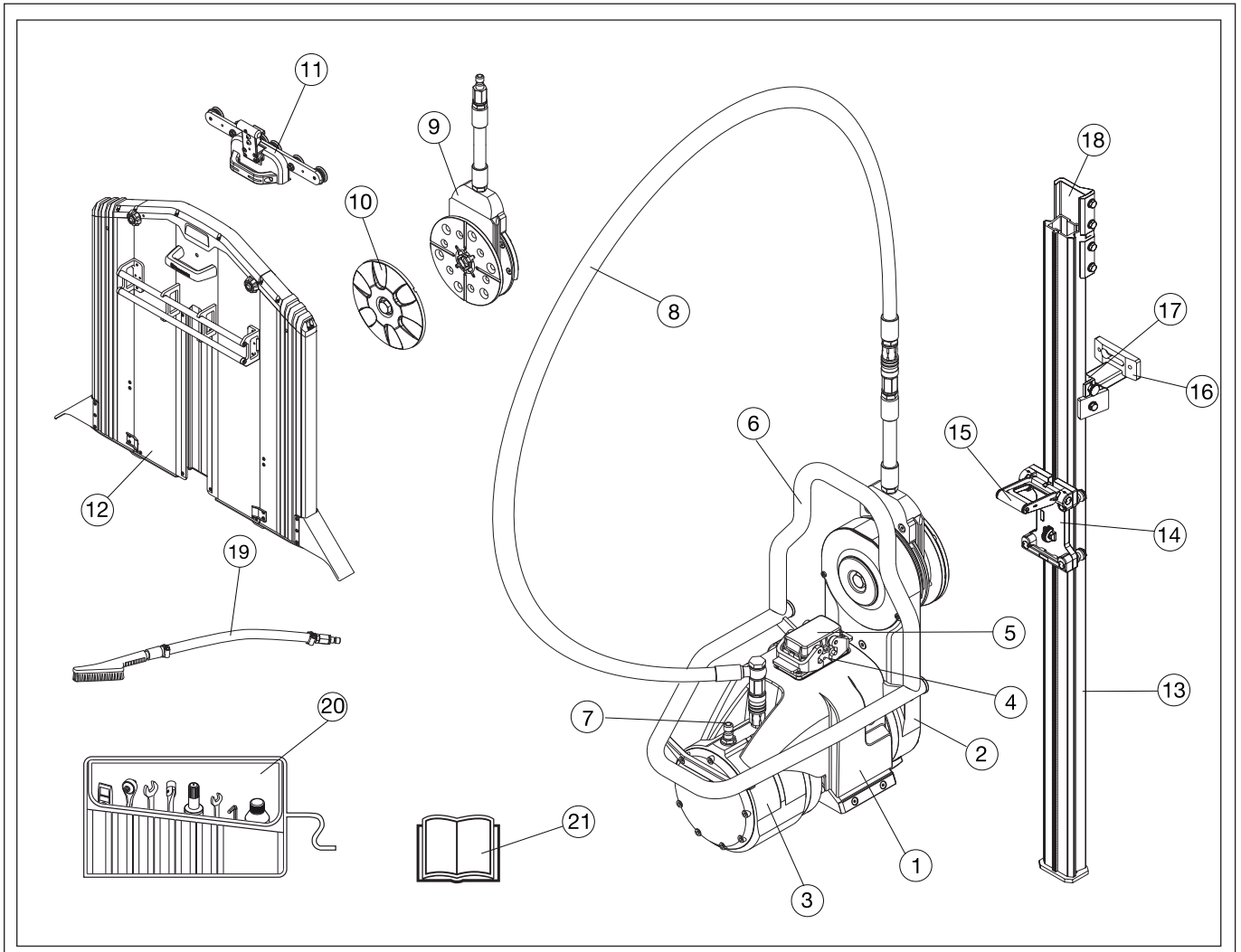
Zu einer kompletten Trennschleiferausrüstung gehören:

- Eine Schneideinheit
- Eine Schiene 1,2 m + Sägewagen
- Eine Schiene 2 m + Sägewagen
- Vier Wandbefestigungen
- Ein Schienenhalter
- Ein Verbinder
- Ein Trennscheibenschutz 800 oder ein Trennscheibenschutz 1000
- Eine Führung für den Trennscheibenschutz
- Ein Werkzeugsatz
- Eine Flasche Husqvarna Oil 220
- Transportbehälter für die verschiedenen Einheiten.
- Reinigungsbürste
- Schrauben zum Flachscheiden.

Ab Werk ist auf der langen und der kurzen Schiene ein Sägewagen angebracht, um den Schneidvorgang so einfach wie möglich zu gestalten.

Da ein großer Teil der Arbeit aus Transporten besteht, wird die Schneidausrüstung in speziell entwickelten Kisten geliefert. Die Kisten bieten beim Transport einen wirksamen Schutz, und gleichzeitig verringert sich die Anzahl der zu bewegenden Ausrüstungsteile – für noch effektiveres Arbeiten.

WAS IST WAS?



Was ist was an der Wandsäge?

- | | |
|---------------------------------------|------------------------|
| 1 Schneideinheit | 12 Klingenschutz |
| 2 Trennarm | 13 Schiene |
| 3 Antriebsmotor, Trennscheibe | 14 Sägewagen |
| 4 Kabelanschluss | 15 Sperrgriff |
| 5 Schutzabdeckung | 16 Wandbefestigungen |
| 6 Befestigung Handgriff/Klingenschutz | 17 Schienenhalte |
| 7 Schlauchanschluss, Wassereinlass | 18 Verbinder |
| 8 Wasserschlauch | 19 Reinigungsbürste |
| 9 Trennscheibenflanschnabe | 20 Werkzeugsatz |
| 10 Äußerer Trennscheibenflansch | 21 Bedienungsanweisung |
| 11 Trennscheibenschutzführung | |

SICHERHEITSAUSRÜSTUNG DES GERÄTES

Allgemeines

In diesem Abschnitt werden einzelnen Teile der Sicherheitsausrüstung des Gerätes beschrieben, welche Funktion sie haben und wie ihre Kontrolle und Wartung ausgeführt werden sollen, um sicherzustellen, dass sie funktionsfähig sind. (Siehe Kapitel Was ist was? um herauszufinden, wo die Sicherheitsdetails an Ihrem Gerät zu finden sind).



WARNUNG! Benutzen Sie nie ein Gerät mit defekter Sicherheitsausrüstung. Die Sicherheitsausrüstung muss überprüft und gewartet werden. Siehe die Anweisungen unter der Überschrift Kontrolle, Wartung und Service der Sicherheitsausrüstung der Bohrmaschine. Finden sich Mängel bei der Kontrolle des Geräts, ist eine Servicewerkstatt zur Reparatur aufzusuchen.

Klingenschutz

Der Klingenschutz muss beim Sägen immer verwendet werden. Stellen Sie sicher, dass sich der Klingenschutz im Arbeitszustand befindet und der äußere Teil arretiert werden kann. Überprüfen Sie zudem, dass der Klingenschutz korrekt eingestellt ist und sich der Verriegelungsmechanismus in der Führung des Klingenschutzes für die Säge im Arbeitszustand befindet (siehe Abschnitt „Einstellung der Führung des Klingenschutzes“). Stellen Sie sicher, dass die Klinge nicht mit dem Schutz in Berührung kommt, jedoch im Klingenschutz zentriert ist.

Sperrgriff

Vergewissern Sie sich, dass der Sperrgriff am Sägewagen korrekt eingestellt ist (siehe Abschnitt „Einstellung des Sägewagens“), sodass die Schneideinheit fest auf dem Wagen sitzt. Überprüfen Sie, dass der Sperrstift in der verriegelten Position vollständig in die Öffnung am Griff eingeführt werden kann.

Endanschlag an der Schiene

Stellen Sie sicher, dass die Endanschläge an den Enden der Schienen installiert sind, sodass die Säge nicht von den Schienen gleiten kann.

Netzteil

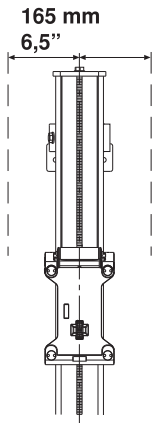
Überprüfen Sie die Sicherheitsausrüstung am gelieferten Aggregat. Siehe Anleitung des Aggregats.

MONTAGE UND EINSTELLUNGEN

Wandbefestigungen und Schiene montieren

Die Wandbefestigung wie folgt montieren:

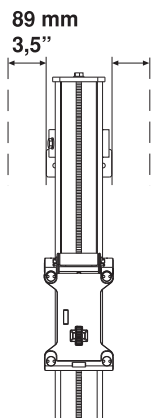
- 1 Schnittlinie markieren und die Löcher für die Spreizschrauben 165 mm (6,5") von der Schnittlinie anzeichnen.



- 2 15-mm (5/8") -Löcher für die M12 (1/2") -Spreizschrauben bohren.
- 3 Die Wandbefestigungen lose an den Spreizschrauben aufhängen, vorzugsweise M6S 12x70 (1/2"x2").
- 4 Die Schiene in die Wandbefestigungen einsetzen und die Spannscheiben anziehen.

Bei vertikalen Schnitten muss die Schiene mit dem Sperrgriff des Sägeschlittens nach oben montiert werden. Dies erleichtert die Befestigung der Schneideinheit.

- 5 Sicherstellen, dass die Schiene richtig mit den Laufschiene an den Wandhalterungen ausgerichtet ist, bevor die Schrauben festgezogen werden.
- 6 Den Abstand zwischen Sägeschnitt und Wandbefestigung anpassen. Der Abstand zwischen der Kante und der Innenkante des Sägeschnitts muss 89 mm (3,5") betragen. Spreizschraube anziehen.



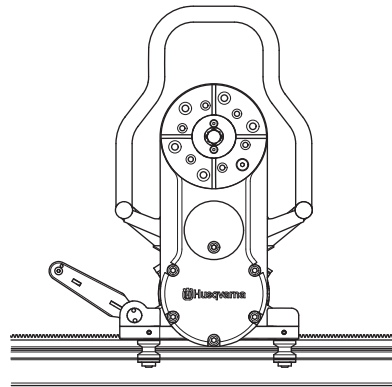
WICHTIG! Nur die mitgelieferten Verbinder verwenden, da ältere Verbinder nicht an die Serie WS 400 angepasst sind.

Sägewagen und Schneideinheit montieren

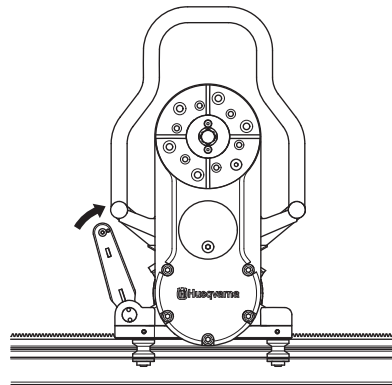


Der Sägewagen wird werkseitig montiert geliefert. Der Wagen kann von der Schiene abgebaut werden, indem die Sperre an der Schiene entfernt und der Wagen heruntergeschoben wird.

- 1 Die Schneideinheit in den Sägewagen heben und montieren. Wenn die Schneideinheit an ihren Platz gehoben wird, bewegt sich der Sperrgriff in eine Zwischenposition. In dieser Position hängt die Schneideinheit im Sägewagen, ohne dass sie festgehalten werden muss. Sie sitzt allerdings nicht fest genug, um schneiden zu können.



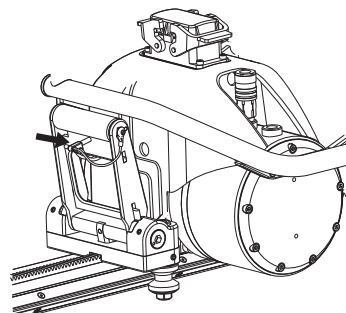
- 2 Um die Schneideinheit zu fixieren, den Sperrgriff zur Einheit hin anheben, bis er einrastet.



WARNUNG! Das Schneiden ist lebensgefährlich, wenn die Schneideinheit nicht ordnungsgemäß in Wagen und Schiene sitzt.

Verriegelung des Griffs

Verriegeln Sie den Griff mithilfe des Stifts.



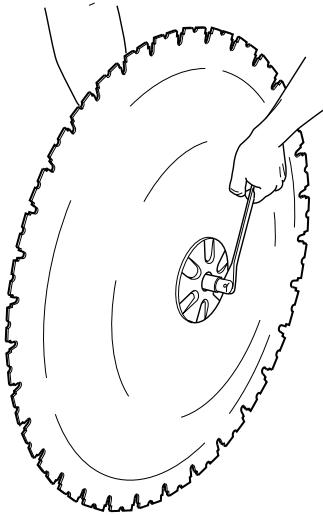
MONTAGE UND EINSTELLUNGEN

Klinge montieren

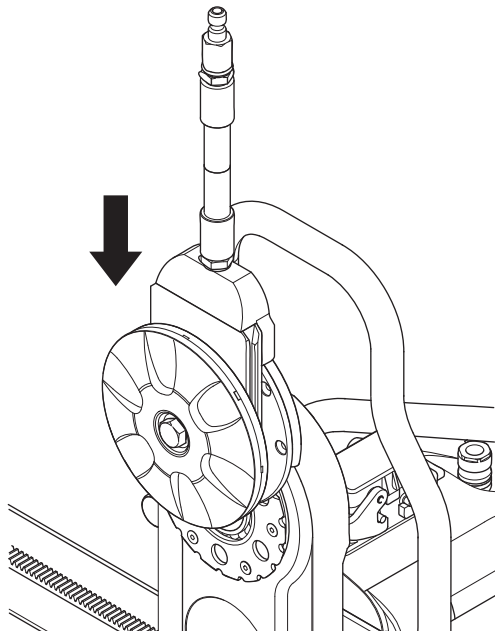


WARNUNG! Trennscheibe und Trennscheibenschutz dürfen erst nach Ausstecken des Stromkabels der Schneideinheit ein- oder ausgebaut werden. Unachtsamkeit kann zu schweren Verletzungen bis hin zum Tod führen.

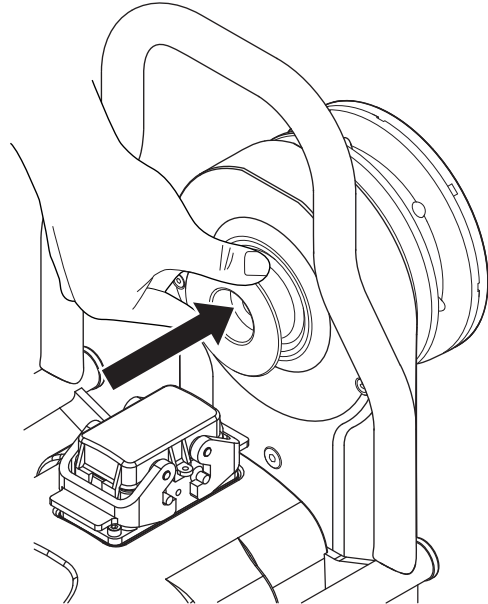
- 1 Zuerst vorhandenen Schmutz von den Kontaktflächen an Trennscheibenflansch und Trennscheibe entfernen.
- 2 Die Rotationsrichtung der Trennscheibe prüfen. Die Trennscheibe muss mit dem freien Teil des Diamanten in Drehrichtung der Trennscheibe drehen. Da die Drehrichtung der Trennscheibe ausgewählt werden kann, kann auch das Sprühwasser von der Trennscheibe unabhängig davon ausgewählt werden, wie die Säge auf der Schiene angeordnet ist.
- 3 Äußeren Trennscheibenflansch, Trennscheibe und Trennscheibenflanschnabe zusammenschrauben (Anzugsmoment 70-80 Nm).



- 4 Die Trennscheibe mit montiertem Flansch und Flanschnabe am Schwenkarm einhängen (die Trennscheibe ist nicht abgebildet).



- 5 Trennscheibenflanschnabe vorsichtig drehen, sodass sie in eine der Führungsschienen des Schwenkarms gleitet und in der richtigen Position für das Festschrauben zu liegen kommt.
- 6 Die Trennscheibenachse in den Schwenkarm drücken und gleichzeitig die Trennscheibe vorsichtig drehen. Wenn sich die Trennscheibenachse nicht weiter von Hand eindrücken lässt, ist sie mit dem beiliegenden 18er Schlüssel fest anzuziehen (Anzugsmoment 70-80 Nm).

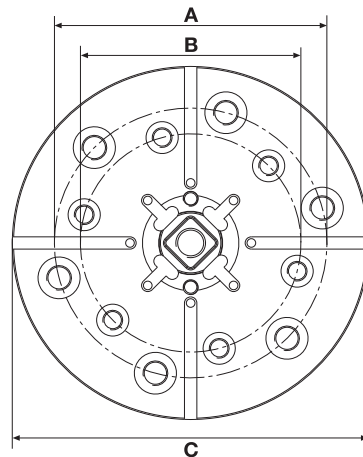


WARNUNG! Bei der Montage der Trennscheibe sorgfältig arbeiten, damit sie sich beim Schneiden nicht lösen kann. Unachtsamkeit kann zu schweren Verletzungen bis hin zum Tod führen.

Flachschneiden



Den äußeren Trennscheibenflansch abschrauben und die Trennscheibe auf der Trennscheibenflanschnabe montieren.



A = 110 mm, 6 x M10

B = 89 mm, 6 x M8

C = 144 mm

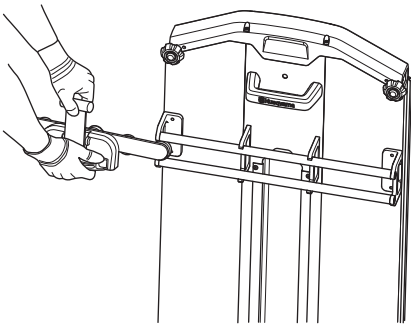
MONTAGE UND EINSTELLUNGEN

Trennscheibenschutz montieren

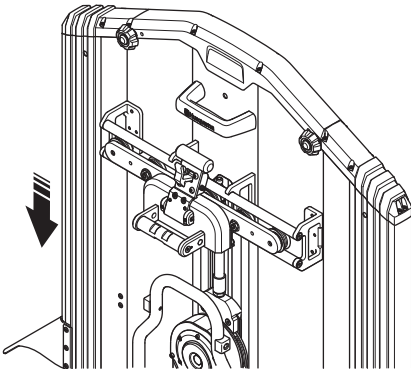


WARNUNG! Trennscheibe und Trennscheibenschutz dürfen erst nach Ausstecken des Stromkabels der Schneideinheit ein- oder ausgebaut werden. Unachtsamkeit kann zu schweren Verletzungen bis hin zum Tod führen.

- 1 Die Trennscheibenschutzführung zwischen die Streben des Trennscheibenschutzes schieben. Die Trennscheibenschutzführung in der Mitte platzieren. Das Kunststoffgegenlager des Handgriffs mit der oberen Strebe des Trennscheibenschutzes sichern.

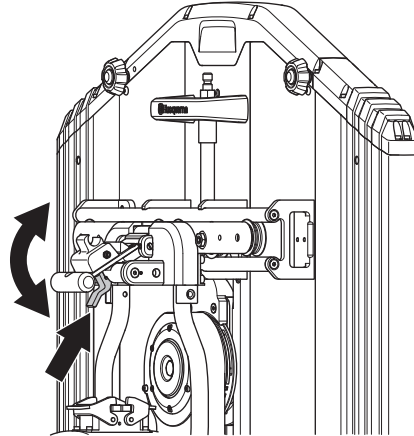


- 2 Auf eine vertikale Ausrichtung des Schwenkarms achten. Den Trennscheibenschutz über die Trennscheibe heben und in den Halter an der Schneideinheit einhängen. Darauf achten, dass die Gleitschienen des Trennscheibenschutzes in die Nuten des Wasserblocks greifen.



- 3 Trennscheibenschutz durch Herausziehen des Griffs aus dem Schutz und danach zur Schneideinheit hin verriegeln, sodass die Verriegelung den Griff arretiert.

- 4 Zum Entfernen des Schutzes die Verriegelung lösen und den Griff nach oben und innen zum Schutz hin ziehen. Das Kunststoffgegenlager an der oberen Strebe sichern.



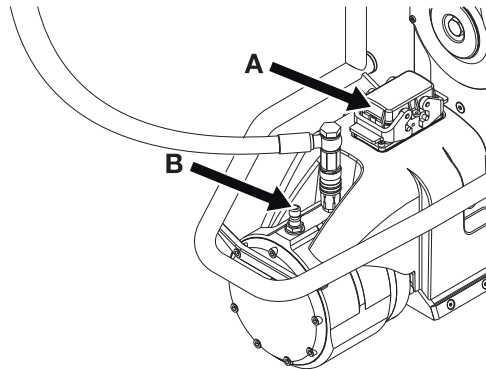
- 5 Den Wasserschlauch von der Auskupplung der Zägemotor mit der Einkupplung der Trennscheibenflanschnabe verbinden.

Aggregat anschließen

WICHTIG! Dieses Gerät ist zum Einsatz mit den Aggregaten Husqvarna PP 440 HF und PP 480 HF vorgesehen. Alle anderen Einsätze sind unzulässig.

Das Handbuch des Aggregats lesen, ehe Sie mit der Nutzung des Geräts beginnen.

Nach Montage der Schneideinheit, der Trennscheibe und des Trennscheibenschutzes sollten das Stromkabel (A) und die Wasserkühlung (B) am Aggregat angeschlossen werden.

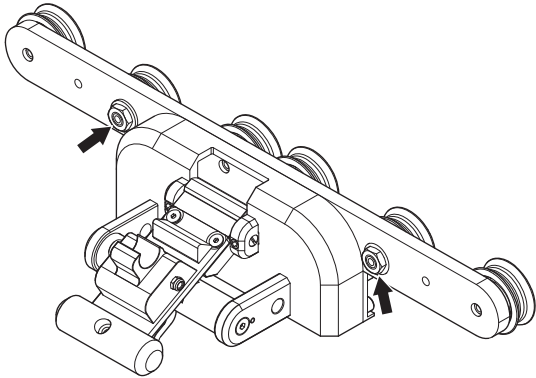


Sobald das Stromversorgungskabel an die Säge angeschlossen wird, muss der Karabiner an der Schneideinheit befestigt werden, damit der Stecker im Betrieb nicht druckbelastet ist. Der Karabiner muss an eine der Halteösen am Griff befestigt werden, der an die Rückseite des Antriebmotors geschraubt ist.

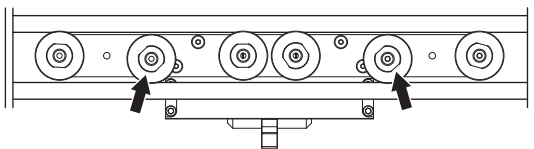
MONTAGE UND EINSTELLUNGEN

Einstellung der Klingenschutzführung

- Lösen Sie die Muttern an den zwei einstellbaren Führungsrädern.



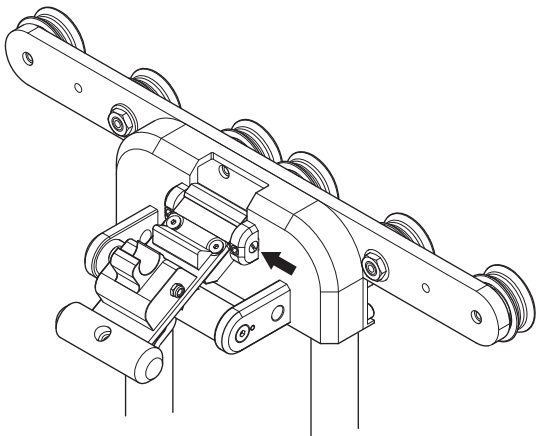
- Führen Sie die Klingenschutzführung in den Klingenschutz ein.
- Drehen Sie die Exzenternockenwellen mit einem 22-mm-Schlüssel, bis die Führungsräder die Schiene berühren.



- Fixieren Sie die Welle mit einem 22-mm-Schlüssel und ziehen Sie die Mutter mit einem 16-mm-Schlüssel fest.
- Stellen Sie sicher, dass sich die Räder ungehindert drehen und in der Klingenschutzführung kein Spiel vorhanden ist.

Justieren des Sperrgriffs an der Klingenschutzführung

- Befestigen Sie die Klingenschutzführung an der Schneideinheit.
- Lösen Sie die beiden Anschlagsschrauben mit einem 3-mm-Inbusschlüssel.
- Justieren Sie den Sperrgriff durch Drehen der Exzenternockenwelle mit einem Schraubendreher, bis der Sperrgriff um den Klingenschutzhalter festgezogen ist.



- Ziehen Sie die beiden Anschlagsschrauben mit einem 3-mm-Inbusschlüssel fest.

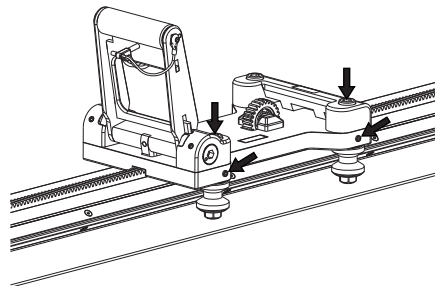
- Entfernen Sie die 4 Schrauben am Schnappschloss mit einem 4-mm-Inbusschlüssel.
- Justieren Sie das Schnappschloss. Das Schnappschloss muss fest um die obere Schiene sitzen.
- Ziehen Sie die 4 Befestigungsschrauben des Schnappschlosses mit einem 4-mm-Inbusschlüssel fest.

Führungsräder justieren

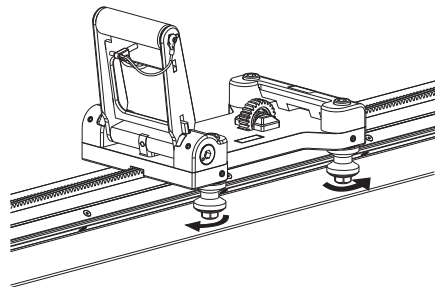
Damit der Trennschleifer stabil läuft und gerade Schnitte ausführt, müssen die vier Führungsräder an der Schiene anliegen und dürfen kein Spiel aufweisen.

Überprüfen Sie vor jedem Schritt die Führungsräder. Läuft der Sägewagen mit Spiel auf der Schiene, müssen die Führungsräder justiert werden.

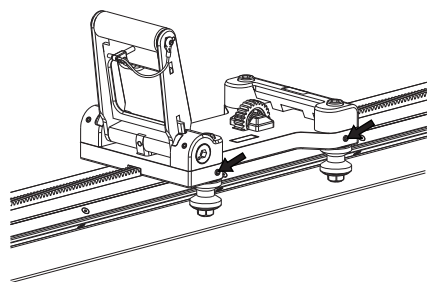
Lösen Sie die beiden M10-Sechskantschrauben mit einem 8-mm-Inbusschlüssel. Lösen Sie auch die beiden Anschlagsschrauben, mit denen die beiden Exzenterführungsräder mit einem 3-mm-Inbusschlüssel verriegelt werden.



Drehen Sie die Welle vorsichtig mit einem 16-mm-Schraubenschlüssel, bis die Führungsräder auf der Schiene aufliegen.

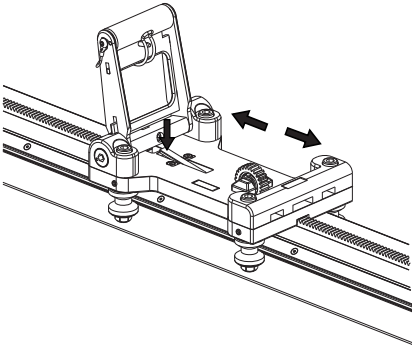


Halten Sie den 16-mm-Schraubenschlüssel in Position und ziehen Sie die beiden Anschlagsschrauben mit einem 3-mm-Inbusschlüssel fest.

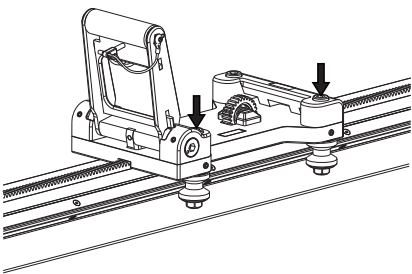


MONTAGE UND EINSTELLUNGEN

Drücken Sie die Verriegelung herunter und ziehen Sie den Sägewagen manuell in beide Richtungen. Der Wagen sollte leicht laufen und dabei einen nur geringen Widerstand aufweisen. Alle 4 Führungsräder müssen sich drehen.



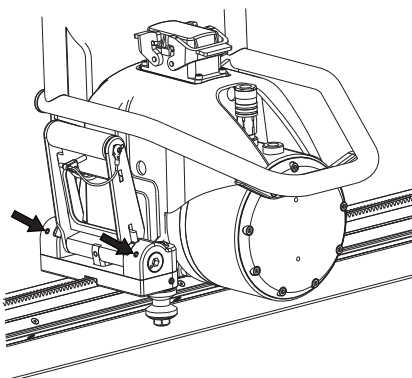
Ziehen Sie die Schrauben mit einem 8-mm-Inbusschlüssel fest. Wiederholen Sie den vorherigen Schritt.



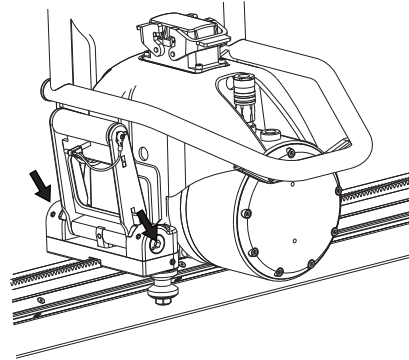
Trennschleifer im Sägewagen justieren

Aufgrund des Verschleißes des Trennschleifers kann es nach einigen Betriebsstunden vorteilhaft sein, zu prüfen, ob die Schneideinheit weiterhin fest in Wagen und Schiene sitzt. Ist dies nicht der Fall, muss wahrscheinlich der Handgriff justiert werden.

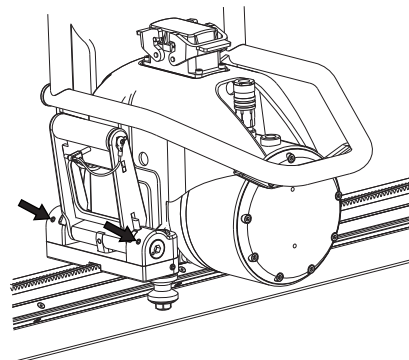
Lösen Sie die beiden Anschlagsschrauben mit einem 3-mm-Inbusschlüssel.



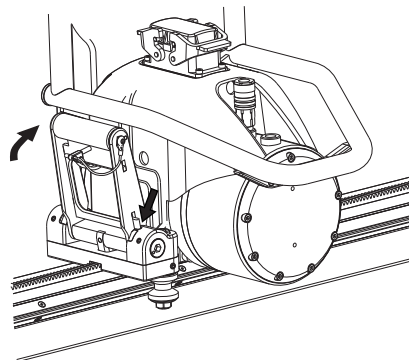
Drehen Sie die beiden Exzenterhülsen mit einem 8-mm-Inbusschlüssel, bis die Welle fest sitzt und parallel zur Schneideinheit ausgerichtet ist.



Ziehen Sie die beiden Anschlagsschrauben mit einem 3-mm-Inbusschlüssel fest.



Prüfen Sie durch Öffnen und Schließen des Sperrgriffs, dass dieser korrekt eingestellt ist, und vergewissern Sie sich, dass sich die federgespannte Arretierung in der verriegelten Position befindet.



Sichern Sie den Sperrgriff anschließend mit dem Sperrstift.

Schutzausrüstung

Allgemeines

Das Gerät niemals benutzen, wenn nicht die Möglichkeit besteht, im Falle eines Unfalls Hilfe herbeizurufen.

Persönliche Schutzausrüstung

Bei der Benutzung des Gerätes muss die vorgeschriebene persönliche Schutzausrüstung angewendet werden. Die persönliche Schutzausrüstung beseitigt nicht die Unfallgefahr, begrenzt aber den Umfang der Verletzungen und Schäden. Bei der Wahl der Schutzausrüstung einen Fachhändler um Rat fragen.



WARNUNG! Bei der Nutzung von Produkten, die schneiden, schleifen, bohren, feine Schleifvorgänge ausführen oder Material formen kann es zu einer Bildung von Staub und Dämpfen kommen, die schädliche chemische Substanzen enthalten. Informieren Sie sich über die Beschaffenheit des Materials, mit dem Sie arbeiten und tragen Sie einen geeigneten Atemschutz.

Eine längerfristige Beschallung mit Lärm kann zu bleibenden Gehörschäden führen. Daher stets einen zugelassenen Gehörschutz tragen. Bei Benutzung von Gehörschützern immer auf Warnsignale oder Zurufe achten. Den Gehörschutz immer abnehmen, sobald der Motor abgestellt ist.

Bei Arbeiten an Produkten mit beweglichen Teilen herrscht stets Klemmgefahr. Schutzhandschuhe tragen, um Verletzungen zu vermeiden.

Benutzen Sie immer:

- Einen zugelassenen Schutzhelm
- Gehörschutz
- Schutzbrille oder Visier
- Atemschutzmaske
- Feste, griffsichere Handschuhe.
- Eng anliegende, kräftige und bequeme Kleidung tragen, die volle Bewegungsfreiheit gewährt.
- Stiefel mit Stahlkappe und rutschfester Sohle.

Bedenken, dass Kleidung, langes Haar und Schmuck in beweglichen Teilen hängen bleiben können.

Weitere Schutzmaßnahmen



WARNUNG! Beim Betrieb des Gerätes können Funken einen Brand verursachen. Deshalb soll die Feuerlöschschrüstung stets in Reichweite aufbewahrt werden.

- Feuerlöschschrüstung
- Ein Erste-Hilfe-Set soll immer griffbereit sein.

Allgemeine Sicherheitsvorschriften



WARNUNG! Lesen Sie sämtliche Sicherheitshinweise und Anweisungen durch. Die Nichtbeachtung der Warnhinweise und Anweisungen kann Stromschlag, Brand und/oder schwere Verletzungen zur Folge haben.

In diesem Abschnitt werden grundlegende Sicherheitsregeln vorgestellt. Die folgenden Informationen sind kein Ersatz für das Wissen, das ein professioneller Anwender durch seine Ausbildung und praktische Erfahrung erworben hat. Lassen Sie sich bei Unsicherheiten von einer Fachkraft beraten. Fragen Sie Ihren Fachhändler, Ihre Servicewerkstatt oder einen erfahrenen Anwender. Führen Sie keine Arbeiten aus, wenn Unsicherheiten bezüglich der richtigen Vorgehensweise bestehen.

- Lesen Sie die Bedienungsanweisung sorgfältig durch und machen Sie sich mit dem Inhalt vertraut, bevor Sie das Gerät benutzen.
- Dieses Gerät ist zum Einsatz mit den Aggregaten Husqvarna PP 440 HF und PP 480 HF vorgesehen. Alle anderen Einsätze sind unzulässig.
- Das Handbuch des Aggregats lesen, ehe Sie mit der Nutzung des Geräts beginnen.
- Das Gerät kann schwere Verletzungen verursachen. Die Sicherheitsvorschriften gründlich durchlesen. Lernen Sie, wie das Gerät anzuwenden ist.
- Diese Maschine ist für das Schneiden von Beton, Ziegeln und unterschiedlichen Steinmaterialien vorgesehen. Jede andere Verwendung ist nicht zulässig.
- Daran denken, dass der Bediener für Unfälle oder Gefahrensituationen verantwortlich ist, die anderen Personen oder deren Eigentum widerfahren.
- Sämtliche Bediener müssen für die Benutzung der Maschine ausgebildet sein. Die Verantwortung für die erforderliche Ausbildung liegt beim Eigentümer.
- Die Maschine ist sauber zu halten. Die Lesbarkeit aller Schilder und Aufkleber muss gewährleistet werden.



WARNUNG! Das Gerät kann falsch oder nachlässig angewendet gefährlich sein und zu schweren oder gar lebensgefährlichen Verletzungen des Benutzers oder anderer Personen führen.

Niemals Kinder oder andere Personen, die nicht mit der Handhabung der Maschine vertraut sind, die Maschine bedienen oder warten lassen. Lassen Sie niemals jemand anderen das Gerät benutzen, ohne sich zu vergewissern, dass die Person den Inhalt der Bedienungsanweisung verstanden hat.

Arbeiten Sie niemals mit dem Gerät, wenn Sie müde sind, Alkohol getrunken oder Medikamente eingenommen haben, da hierdurch Sehkraft, Urteilsvermögen oder Körperkontrolle beeinträchtigt werden können.

WARNUNG! Unzulässige Änderungen und/oder Zubehörteile können zu schweren Verletzungen oder tödlichen Unfällen von Anwendern oder anderen Personen führen.

Das Gerät nicht so modifizieren, dass es nicht länger mit der Originalausführung übereinstimmt, und nicht benutzen, wenn es scheinbar von anderen modifiziert wurde.

Verwenden Sie keine defekte Maschine, Batterie oder Lade-Einrichtung. Die Wartungs-, Kontroll- und Serviceanweisungen in dieser Bedienungsanleitung sind sorgfältig zu befolgen. Gewisse Wartungs- und Servicemaßnahmen sind von geschulten, qualifizierten Fachleuten auszuführen. Siehe die Anweisungen unter der Überschrift **Wartung**. Nur Originalteile verwenden.

Arbeitssicherheit

Lesen Sie vor der Inbetriebnahme der Maschine diese Bedienungsanleitung aufmerksam durch und machen Sie sich mit dem Inhalt vertraut.

Sicherheit im Arbeitsbereich

- Stets die Wandrückseite prüfen, an der die Trennscheibe beim Durchschneiden heraustritt. Sichern bzw. absperren und sicherstellen, dass weder Menschen noch Material zu Schaden kommen.
- Den Arbeitsbereich stets auf das Vorhandensein von Gasleitungen überprüfen und deren Verlauf kennzeichnen. Das Schneiden in der Nähe von Gasleitungen stellt eine potenzielle Gefahrensituation dar. Funkenbildung beim Schneiden vermeiden, andernfalls besteht Explosionsgefahr. Konzentrieren Sie sich voll auf Ihre Arbeitsaufgabe. Unachtsamkeit kann zu schweren Verletzungen bis hin zum Tod führen.
- Stellen Sie außerdem sicher, dass weder unter dem Arbeitsbereich noch im Schneidegut Versorgungsleitungen verlegt sind.
- Sicherstellen, dass die Stromkabel im Arbeitsbereich nicht stromführend sind.
- Sorgen Sie dafür, dass Menschen und Tiere einen Sicherheitsabstand von 4 m (15 ft) einhalten, während Sie mit dem Gerät arbeiten.
- Vermeiden Sie es, das Gerät bei schlechtem Wetter zu benutzen. Z.B. bei dichtem Nebel, Regen oder Wind, großer Kälte usw. Das Arbeiten bei schlechtem Wetter ist sehr ermüdend und kann gefährliche Umstände herbeiführen, z. B. Rutschgefahr.
- Sorgen Sie dafür, daß der Arbeitsbereich ausreichend beleuchtet ist, damit Sie sicher arbeiten können.
- Sorgen Sie immer dafür, dass Sie bei der Arbeit fest und sicher stehen.

Elektrische Sicherheit



WARNUNG! An elektrisch betriebenen Geräten besteht stets die Gefahr von elektrischen Schlägen. Ungünstige Witterungsbedingungen sowie einen Körperkontakt mit Blitzableiter und metallischen Gegenständen vermeiden. Stets die Vorgaben in der Bedienungsanleitung befolgen, um Schäden auszuschließen.

- Das Gerät niemals am Kabel tragen und niemals den Stecker am Kabel aus der Steckdose ziehen.
- Darauf achten, dass die Kabel nicht mit Wasser, Öl oder scharfen Kanten in Berührung kommen. Darauf achten, dass die Kabel nicht in Türen, Zäunen o. ä. eingeklemmt werden. Es besteht sonst die Gefahr, dass Gegenstände unter Strom gestellt werden.
- Kontrollieren, ob die Kabel intakt und in gutem Zustand sind. Ein für die Außennutzung geeignetes Kabel verwenden.
- Das Gerät nicht benutzen, wenn ein Kabel beschädigt ist, sondern zur Reparatur in eine autorisierte Servicewerkstatt geben.
- Das Gerät muss an ein geerdete Steckdose angeschlossen werden.
- Kontrollieren, ob die Netzspannung mit der auf dem Geräteschild angegebenen übereinstimmt.

Persönliche Sicherheit

- Niemals das Gerät unbeaufsichtigt mit laufendem Motor stehen lassen.
- Niemals so sägen, dass Sie den Not-Aus auf der Fernbedienung oder am Aggregat nicht bequem und einfach erreichen können. Siehe Anleitung des Aggregats.
- Beim Arbeiten mit den Maschinen muss stets eine weitere Person anwesend sein, die bei Unfällen Hilfestellung leisten kann.
- Personen, die sich in der Umgebung aufhalten, müssen einen Gehörschutz tragen, da der Geräuschpegel beim Schneiden 85 dB(A) überschreitet.
- Vorsicht beim Heben. Schweres Gerät bedeutet Klemmgefahr und Gefahr für andere Verletzungen.
- Menschen und Tiere können zu einer Ablenkung und damit zum Verlust der Kontrolle über das Gerät führen. Konzentration und Fokussierung auf die Aufgabe sind daher stets erforderlich.
- Bedenken, dass Kleidung, langes Haar und Schmuck in beweglichen Teilen hängen bleiben können.

Verwendung und Pflege

- Sicherstellen, dass der Trennscheibenschutz unbeschädigt und korrekt montiert ist.
- Stets nur Originalklingen verwenden, die für die Maschinen ausgelegt sind. Fragen Sie Ihren Husqvarna-Händler, welche Klinge sich am besten für Ihren Einsatzbereich eignet.
- Niemals beschädigte oder verschlissene Trennscheiben verwenden.
- Trennscheibe und Trennscheibenschutz dürfen erst nach Ausstecken des Stromkabels der Schneideeinheit ein- oder ausgebaut werden.
- Vor dem Rausziehen des Stromkabels immer zuerst das Aggregat ausschalten und warten, bis das Gerät vollständig zum Stillstand gekommen ist.
- Schneidevorgänge niemals ohne den Trennscheibenschutz durchf
- Prüfen, dass die Klinge frei rotieren kann, bevor die Maschine gestartet wird.
- Stets Abstand zur Trennscheibe halten, wenn der Motor läuft.
- Es ist stets eine Wasserkühlung einzusetzen. Diese kühlt die Klingen, verlängert deren Lebensdauer und verringert die Staubbildung.
- Darauf achten, dass alle Kupplungen, Verbindungen und Kabel sauber und intakt sind.
- Vor dem Schneiden sind alle auszuführenden Schnitte deutlich zu markieren und zu planen, sodass sie ohne Gefahr für Mensch oder Maschine durchgeführt werden können.
- Sichern oder verankern Sie Betonblöcke ausreichend, bevor Sie mit dem Sägen beginnen. Das hohe Gewicht des zu schneidenden Materials kann die Maschine stark beschädigen und zu schweren Verletzungen führen, wenn eine kontrollierte Bewegung des Materials unmöglich ist.

Transport und Aufbewahrung

- Vor dem Bewegen des Geräts stets den Hauptschalter für das Aggregat ausschalten und das Stromkabel rausziehen.
- Trennscheibe und Trennscheibenschutz vor Transport oder Lagerung ausbauen.
- Bewahren Sie das Gerät für Kinder und Unbefugte unzugänglich in einem abschließbaren Raum auf.
- Falls Frostgefahr besteht, muss restliches Kühlwasser aus dem Gerät abgelassen werden.
- Zur Lagerung der Ausrüstung die mitgelieferten Kästen verwenden.

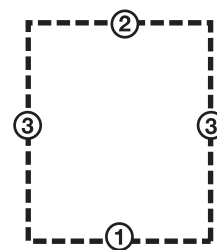
Grundlegende Arbeitstechnik



- Stets mit dem Schneiden einer Führungsnut beginnen. Dazu die Trennscheibe 3-7 cm (1,2"-2,8") einführen. Dann die Führungsnut schneiden. Der Schnitt sollte nicht mit maximaler Geschwindigkeit, sondern vorsichtig ausgeführt werden, um einen geraden Schnitt zu erzielen und die nachfolgenden Schnitte zu erleichtern. Durch den Schwenkarm können beim Start Trennscheiben von einer Größe von bis zu 1000 mm verwendet werden. Es wird empfohlen, den Schneidevorgang mit einer 800-mm-Klinge zu beginnen.
- Wenn der Führungsschnitt abgeschlossen ist, können tiefere Schnitte vorgenommen werden. Ihre jeweilige Tiefe richtet sich nach Faktoren wie der Betonhärte, dem Vorhandensein von Armierungseisen usw. Der maximale Durchmesser der Klinge für tiefere Schnitte beträgt 1.200 mm.
- Wird die Trennscheibe gewechselt, um die Schnitttiefe in demselben Schnitt zu erhöhen, muss sichergestellt werden, dass die Stärke der Trennscheibe der Breite der Nut entspricht.
- Das Gerät arbeiten lassen, ohne die Trennscheibe zu forcieren oder einzudrücken.
- Sichern oder verankern Sie Betonblöcke ausreichend, bevor Sie mit dem Sägen beginnen. Das hohe Gewicht des zu schneidenden Materials kann die Maschine stark beschädigen und zu schweren Verletzungen führen, wenn eine kontrollierte Bewegung des Materials unmöglich ist.

Blöcke schneiden

- Zuerst den unteren waagrechten Schnitt ausführen. Dann den oberen waagrechten Schnitt ausführen. Abschließend die beiden senkrechten Schnitte ausführen.



- Wird der obere waagrechte Schnitt vor dem unteren waagrechten Schnitt ausgeführt, fällt das Werkstück auf die Klinge und klemmt sie ein.
- Für den letzten Schnitt sollte die Schneideinheit an einer angrenzenden festen Wand angebracht werden.
- Da die Schiene symmetrisch ist, kann die Schneideinheit auf ihr gewendet werden, um einen neuen Schnitt auf der anderen Seite der Schiene auszuführen. Auf diese Weise haben die geschnittenen Stücke eine leichter hantierbare Größe und lassen sich besser vom Arbeitsplatz transportieren.
- Da die Drehrichtung der Trennscheibe ausgewählt werden kann, kann auch das Sprühwasser von der Trennscheibe unabhängig davon ausgewählt werden, wie die Säge auf der Schiene angeordnet ist.

Vor dem Start

- Den zu schneidenden Bereich einzäunen, damit keine unbeteiligten Personen zu Schaden kommen oder den Bediener stören können.
- Trennscheibe und Trennscheibenschutz auf Beschädigung und Risse kontrollieren. Trennscheibe oder Trennscheibenschutz austauschen, wenn sie Schlägen ausgesetzt wurden oder Risse aufweisen.
- Vor dem Starten des Geräts alle Kabelverbindungen und den Anschluss der Wasserversorgung prüfen.
- Soll der Schneidvorgang nicht an der Stelle begonnen werden, an der sich die Schneideinheit befindet, Schneideinheit in die Startposition zu fahren.

Starten

Die Startanweisungen des Aggregathandbuchs befolgen.

Stoppen

- Nach Beenden des Schneidens die Trennscheibe aus der Wand fahren und die Trennscheibenrotation sowie den Wasserstrom abschalten.
- Das Aggregat ausschalten.

Demontage des Trennschleifers

- 1 Den Motor ganz zum Stillstand kommen lassen.
- 2 Stromversorgung für das Aggregat trennen.
- 3 Den Wasserzufluss abstellen und vom Aggregat trennen.
- 4 Stromkabel und Wasserschlauch von der Schneideinheit trennen.
- 5 Alle weiteren Schritte werden in umgekehrter Montagereihenfolge vorgenommen.

Reinigung

Nach dem Schneidvorgang ist der Trennschleifer zu reinigen. Eine Reinigung der gesamten Schneidausrüstung ist äußerst wichtig. Die Säge wird am besten durch Anschließen an den Wasserschlauch mithilfe der mitgelieferten Reinigungsbürste gereinigt.

WICHTIG! Die Schneideinheit nicht mit einem Hochdruckreiniger reinigen.

Service

WICHTIG! Sämtliche Reparaturen dürfen nur von autorisiertem Reparaturpersonal ausgeführt werden. Diese Vorschrift soll verhindern, dass der Bediener großen Gefahren ausgesetzt wird.

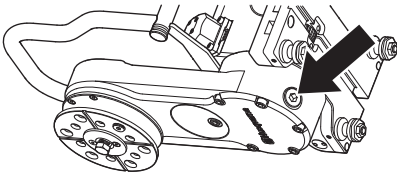
Nach 100 Betriebsstunden wird eine Servicemeldung angezeigt. In diesem Fall muss die gesamte Ausrüstung zu einem autorisierten Husqvarna-Händler zur Inspektion gebracht werden.

Wartung

WICHTIG! Kontrollen und/oder Wartungsarbeiten sind bei abgeschaltetem Motor und abgezogenem Stecker durchzuführen.

Ölwechsel Schwenkarm

- Am Schwenkarm ist ein Ölstopfen zum Ablassen des Öls angebracht. Dieser Stopfen ist beim Ölwechsel zu reinigen. Das neue Öl wird durch die Öffnung des Ölstopfens eingefüllt.

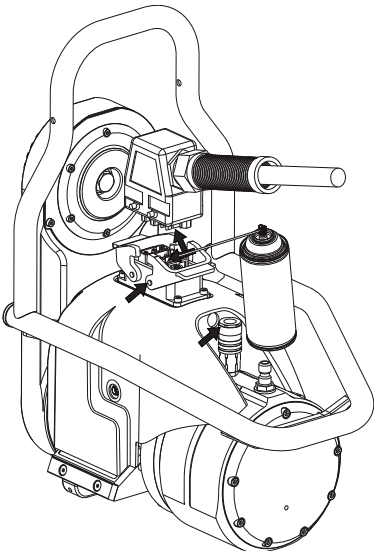


- Der Schwenkarm enthält 300 ml Husqvarna Oil 220, ein Getriebeöl vom Typ EP 220. Der erste Ölwechsel ist beim ersten Service vorzunehmen. Beim Erwerb eines Trennschleifers ist eine 300-ml-Flasche Öl im Lieferumfang enthalten.

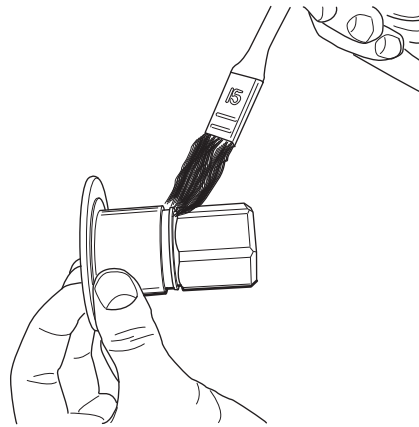
WICHTIG! Altöl aus Motor und Getriebe ist gesundheitsschädlich und darf nicht direkt im Erdboden oder in der Natur entsorgt werden.

Tägliche Wartung

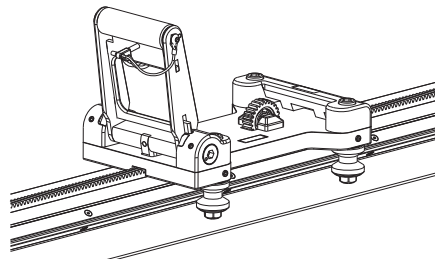
- 1 Darauf achten, dass alle Kupplungen, Verbindungen und Kabel sauber und intakt sind. Wischen Sie die Kontaktstife und Verriegelungsgriffe mit einer Bürste oder einem Tuch sauber, schmieren Sie diese mit einem Schmier- und Reinigungsspray. Stellen Sie sicher, dass die Kontakte fest ineinander greifen, wenn die Griffe verriegelt sind. Schmieren Sie auch die Hülse des Wasseranschlusses.



- 2 Zum möglichst einfachen Einführen der Klingenwelle in den Klingenschaft muss diese in manchen Fällen gereinigt und geschmiert werden. Prüfen Sie täglich, dass die Klingenwelle frei beweglich und das Sechseck unbeschädigt ist.



- 3 Überprüfen Sie, dass der Sägewagen korrekt zu den Führungsrädern justiert ist und der Sperrgriff korrekt eingestellt ist. Im Abschnitt „Justierung“ erhalten Sie weitere Anweisungen.



- 4 Vergewissern Sie sich, dass Klinge und Klingenschutz keine Risse oder andere Schäden aufweisen. Tauschen Sie den Klingenschutz oder die Klinge aus, wenn sie außergewöhnlichen Verschleiß aufweisen. Überprüfen Sie auch, dass sich das Führungsräd des Klingenschutzes ohne größeren Widerstand dreht und die Führung korrekt mit dem Klingenschutz und der Säge ausgerichtet ist. Siehe die Abschnitte „Montage und Einstellungen bei der Justierung“.
- 5 Kontrollieren Sie, ob die Schläuche und Kabel intakt sind.
- 6 Das Gerät äußerlich reinigen. Die Schneideinheit nicht mit einem Hochdruckreiniger reinigen.

TECHNISCHE DATEN

WS 440 HF

Gewicht

Sägewagen, kg/lbs	3,7/8,2
Schneideinheit, kg/lbs	25/55,1
Trennscheibenschutz 800 mm, kg/lbs	13/28,7
Trennscheibenschutz 1000 mm, kg/lbs	16/35,3
Schiene 1200 mm (47") kg/lbs	9,5/20,9
Schiene 2000 mm (79") kg/lbs	19

Trennscheibengröße

Trennscheibengröße - max, mm	1200/47,2
Trennscheibengröße - min, mm	600/23,6
Starttrennscheibe – max, mm	1000/39,4

Schnitttiefe - max., mm/Zoll	530/20,9
------------------------------	----------

Motor für Trennscheibenantrieb	PM, hoher Zyklus
Spindelleistung – max, kW	13
Antriebsstrang	Zahnradantrieb
Drehzahl, U/min	0-1225
Einführungssystem/Steuerung	Elektrisch/autom.

Antriebsdrehmoment an der Trennscheibe – max, Nm	125
Anlaufmoment, Nm	100

Kühlwassertemperatur bei 3,5 l/min - max, °C	25
Kühlwasserdruck – max, bar	7

Schutzart	IP 65
-----------	-------

Geräuschemissionen (siehe Anmerkung 1)

Gemessene Schalleistung dB(A)	108
Garantierte Schalleistung L_{WA} dB(A)	109

Lautstärke (siehe Anmerkung 2)

Schalldruckpegel am Ohr des Benutzers, dB(A)	85
--	----

Anm. 1: Umweltbelastende Geräuschemission gemessen als Schalleistung (L_{WA}) gemäß EN 15027/A1.

Anmerkung 2: Schalldruckpegel gemäß EN 15027/A1. Berichten zufolge liegt der Schalldruckpegel normalerweise bei einer Ausbreitungsklasse (standardmäßige Ausbreitung) von 1,0 dB (A).

TECHNISCHE DATEN

Empf. Drehzahl der Trennscheibe



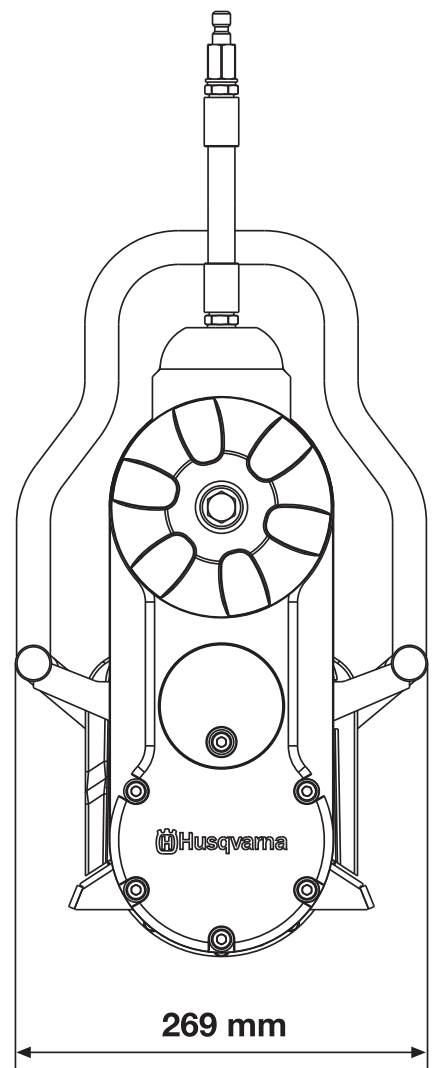
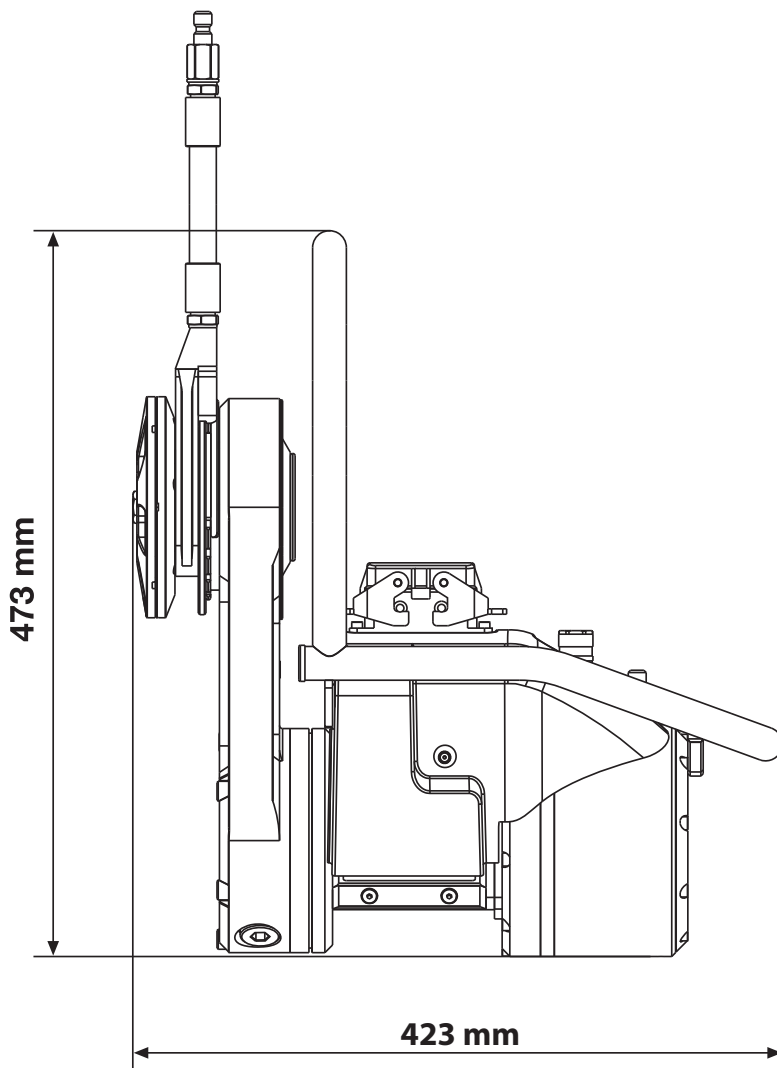
WARNUNG! Das Schneiden bei zu hoher Drehzahl kann zu Schäden an der Trennscheibe und zu Personenschaden führen.

Bei Auswahl der Trennscheibe hinsichtlich des Materials und der Drehzahl der Trennscheibe die Empfehlungen des Herstellers beachten. Beim Schneiden in harten Beton sollte eine Trennscheibe mit geringerer Drehzahl verwendet werden.

	600 mm (24")	800 mm (32")	1000 mm (40")	1200 mm (48")
600 U/min				
700 rpm				
800 rpm				
900 rpm				
1000 rpm				
1100 rpm				
1200 U/min				

Beton	
	Hart
	Mittel
	Weich

Maße



TECHNISCHE DATEN

EG-Konformitätserklärung

(nur für Europa)

Husqvarna AB, SE-561 82 Huskvarna, Schweden, Tel.: +46-36-146500, versichert hiermit, dass der Wandsäge **Husqvarna WS 440 HF** von den Seriennummern des Baujahrs 2010 an (die Jahreszahl wird im Klartext auf dem Typenschild angegeben, mitsamt einer nachfolgenden Seriennummer) den Vorschriften folgender RICHTLINIEN DES RATES entspricht:

- vom 17. Mai 2006 „Maschinen-Richtlinie“ **2006/42/EG**.
- vom 15. Dezember 2004 „über elektromagnetische Verträglichkeit“ **2004/108/EWG**.
- vom 12. Dezember 2006 „betreffend elektrische Betriebsmittel“ **2006/95/EG**.
- vom 8. Juni 2011 „zur Beschränkung der Verwendung bestimmter gefährlicher Stoffe“ **2011/65/EU**

Folgende Normen wurden angewendet: EN ISO 12100:2010, EN 55014-1:2006, EN 55014-2/A1:2001, EN 61000-3-11:2000, EN 15027/A1:2009.

Göteborg, den 12. April 2015



Helena Grubb

Vice President, Construction Equipment

Husqvarna AB

(Bevollmächtigter Vertreter für Husqvarna AB, verantwortlich für die technische Dokumentation.)

EXPLICATION DES SYMBOLES

Symboles sur la machine:

AVERTISSEMENT! La machine utilisée de manière imprudente ou inadéquate peut devenir un outil dangereux, pouvant causer des blessures graves voire mortelles à l'utilisateur et aux autres personnes présentes.



Lire attentivement et bien assimiler le manuel d'utilisation avant d'utiliser la machine.



Toujours utiliser:

- Casque de protection homologué
- Protecteurs d'oreilles homologués
- Lunettes protectrices ou visière
- Masque respiratoire



Ce produit est conforme aux directives CE en vigueur.



Marquage environnemental. Ce symbole figurant sur le produit ou sur son emballage indique que ce produit ne peut pas être traité comme déchet ménager. Il doit être collecté et amené à une installation de récupération appropriée de déchets d'équipements électriques et électroniques.



En veillant à ce que ce produit soit correctement éliminé, vous pouvez contribuer à prévenir les conséquences négatives potentielles sur l'environnement et les hommes, qui pourraient sinon être le résultat d'un traitement incorrect des déchets de ce produit.

Pour des informations plus détaillées sur le recyclage de ce produit, contactez votre commune ou le magasin où vous avez acheté le produit.

Explication des niveaux d'avertissement

Il existe trois niveaux d'avertissement.

AVERTISSEMENT!



AVERTISSEMENT! Symbole utilisé en cas de risque de blessures très graves ou de mort pour l'utilisateur ou de dommages pour les environs si les instructions du manuel ne sont pas suivies.

IMPORTANT!



IMPORTANT! Symbole utilisé en cas de risque de blessures pour l'utilisateur ou de dommages pour les environs si les instructions du manuel ne sont pas suivies.

REMARQUE!

REMARQUE! Symbole utilisé en cas de risque de dommages pour les matériaux ou la machine si les instructions du manuel ne sont pas suivies.

Les autres symboles/autocollants présents sur la machine concernent des exigences de certification spécifiques à certains marchés.

SOMMAIRE

Sommaire

EXPLICATION DES SYMBOLES

Symboles sur la machine:	40
Explication des niveaux d'avertissement	40

SOMMAIRE

Sommaire	41
----------------	----

PRÉSENTATION

Cher client,	42
Conception et propriétés	42
WS 440 HF	42

QUELS SONT LES COMPOSANTS?

Quels sont les composants de la scie murale ?	44
---	----

ÉQUIPEMENT DE SÉCURITÉ DE LA MACHINE

Généralités	45
-------------------	----

MONTAGE ET RÉGLAGES

Montez les fixations murales et le rail	46
Montez le chariot de sciage et la scie	46
Monter la lame	47
Découpe à ras	47
Montage du protège-lame	48
Branchez le groupe moteur	48
Réglage du guide de protège-lame	49
Réglage de la poignée de blocage du guide de protège-lame	49
Réglage des roues de guidage	49
Réglage de la scie dans le chariot de sciage	50

COMMANDE

Équipement de protection	51
Instructions générales de sécurité	51
Sécurité du travail	52
Techniques de travail de base	53

DÉMARRAGE ET ARRÊT

Avant le démarrage	54
Démarrage	54
Arrêt	54
Démontage de la scie	54
Nettoyage	54

ENTRETIEN

Service	55
Entretien	55
Entretien quotidien	55

CARACTÉRISTIQUES TECHNIQUES

WS 440 HF	56
Déclaration CE de conformité	58

PRÉSENTATION

Cher client,

Nous vous remercions d'avoir choisi un produit Husqvarna !

Nous espérons que cette machine vous donnera toute satisfaction et qu'elle vous accompagnera pendant de longues années. L'achat de l'un des nos produits garantit une assistance professionnelle pour l'entretien et les réparations. Si la machine n'a pas été achetée chez l'un de nos revendeurs autorisés, demandez l'adresse de l'atelier d'entretien le plus proche.

Ce mode d'emploi est précieux. Veillez à ce qu'il soit toujours à portée de main sur le lieu de travail. En suivant les instructions qu'il contient (utilisation, révision, entretien etc.), il est possible d'allonger considérablement la durée de vie de la machine et d'augmenter sa valeur sur le marché de l'occasion. En cas de vente de la machine, ne pas oublier de remettre le manuel d'utilisation au nouveau propriétaire.

Plus de 300 ans d'innovation

Husqvarna AB est une entreprise suédoise qui a vu le jour en 1689 lorsque le roi Karl XI décida de construire un arsenal pour la fabrication des mousquets. À l'époque, les compétences en ingénierie à la base du développement de certains des produits leaders du marché mondial dans des domaines tels que les armes de chasse, les vélos, les motocycles, l'électroménager, les machines à coudre et les produits d'extérieur, étaient déjà solides.

Husqvarna est le premier fournisseur mondial de produits motorisés pour utilisation en extérieur dans la foresterie, l'entretien de parcs, de pelouses et de jardins, ainsi que d'équipements de coupe et d'outils diamant destinés aux industries de la construction et de la pierre.

Responsabilité du propriétaire

Il est de la responsabilité du propriétaire/de l'employeur de s'assurer que l'utilisateur possède les connaissances nécessaires pour manipuler la machine en toute sécurité. Les responsables et les utilisateurs doivent avoir lu et compris le Manuel d'utilisation. Ils doivent avoir conscience :

- Des instructions de sécurité de la machine.
- Des diverses applications de la machine et de ses limites.
- De la façon dont la machine doit être utilisée et entretenue.

La législation nationale peut réglementer l'utilisation de cette machine. Recherchez la législation applicable dans le lieu où vous travaillez avant d'utiliser la machine.

Droit de réserve du fabricant

Toutes les informations et toutes les données indiquées dans ce manuel d'utilisation étaient valables à la date à laquelle ce manuel a été porté à l'impression.

Husqvarna peut éditer des informations complémentaires concernant l'utilisation de ce produit en toute sécurité après la publication du présent manuel. Il incombe au propriétaire de se tenir informé des méthodes d'utilisation les plus sûres.

Husqvarna AB travaille continuellement au développement de ses produits et se réserve le droit d'en modifier, entre autres, la conception et l'aspect sans préavis.

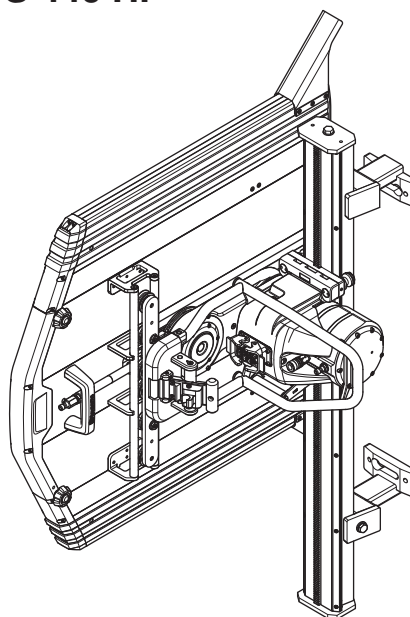
Conception et propriétés

La scie murale WS 220 montée sur rail est équipée de lames diamant segmentées pour découper des matériaux durs tels que le béton armé, la pierre et la brique. Lors de sa conception, l'accent a été mis sur son poids et sa convivialité en vue d'améliorer et de rationaliser l'environnement de travail de l'opérateur. Légère, compacte et dotée d'un moteur puissant haute fréquence, la scie murale WS 220 convient à la plupart des travaux. Conçue pour des lames de 600 et 900 mm, cette scie peut découper des murs dont l'épaisseur peut atteindre 390 mm. Le système de sciage repose sur un chariot de transport compact, ce qui facilite le transport vers et depuis le chantier.

La scie murale est conçue pour découper des matériaux durs, comme le béton et le fer d'armature, et ne doit pas être utilisée à des fins autres que celles décrites dans le présent manuel. Pour utiliser ce produit en toute sécurité, l'utilisateur doit lire le manuel avec attention. Contactez votre revendeur Husqvarna pour obtenir de plus amples informations.

Certaines des caractéristiques uniques de votre produit sont décrites ci-dessous.

WS 440 HF



Nous espérons que cette machine vous donnera toute satisfaction et qu'elle vous accompagnera pendant de longues années. N'oubliez pas que ce manuel d'utilisation est important. En suivant les instructions qu'il contient (utilisation, révision, entretien, etc.), il est possible d'allonger considérablement la durée de vie de la machine et d'augmenter sa valeur sur le marché de l'occasion. En cas de vente de la machine, ne pas oublier de remettre le manuel d'utilisation au nouveau propriétaire.

L'achat de l'un des nos produits garantit une assistance professionnelle pour l'entretien et les réparations. Si la machine n'a pas été achetée chez l'un de nos revendeurs autorisés, demandez l'adresse de l'atelier d'entretien le plus proche.

Husqvarna Construction Products travaille constamment à améliorer la construction de ses produits. Husqvarna se réserve donc le droit de procéder à des modifications de construction sans avis préalable et sans autres engagements.

Généralités

- Bien que la scie ne pèse que 25 kg, le puissant moteur à refroidissement par eau développe un impressionnant 13 kW sur l'arbre.
- La vitesse de la tige est contrôlable et réglable électriquement depuis la commande à distance de l'unité électrique.
- Faible distance entre la lame et le rail, pour une découpe plus droite.
- Glissez l'embrayage pour toutes les parties mobiles.
- Le sens de rotation de la lame peut être contrôlé à l'aide de la commande à distance, qui permet de choisir la direction de la pulvérisation de l'eau.
- Equipée d'un frein de lame automatique permettant d'arrêter la lame en quelques secondes.

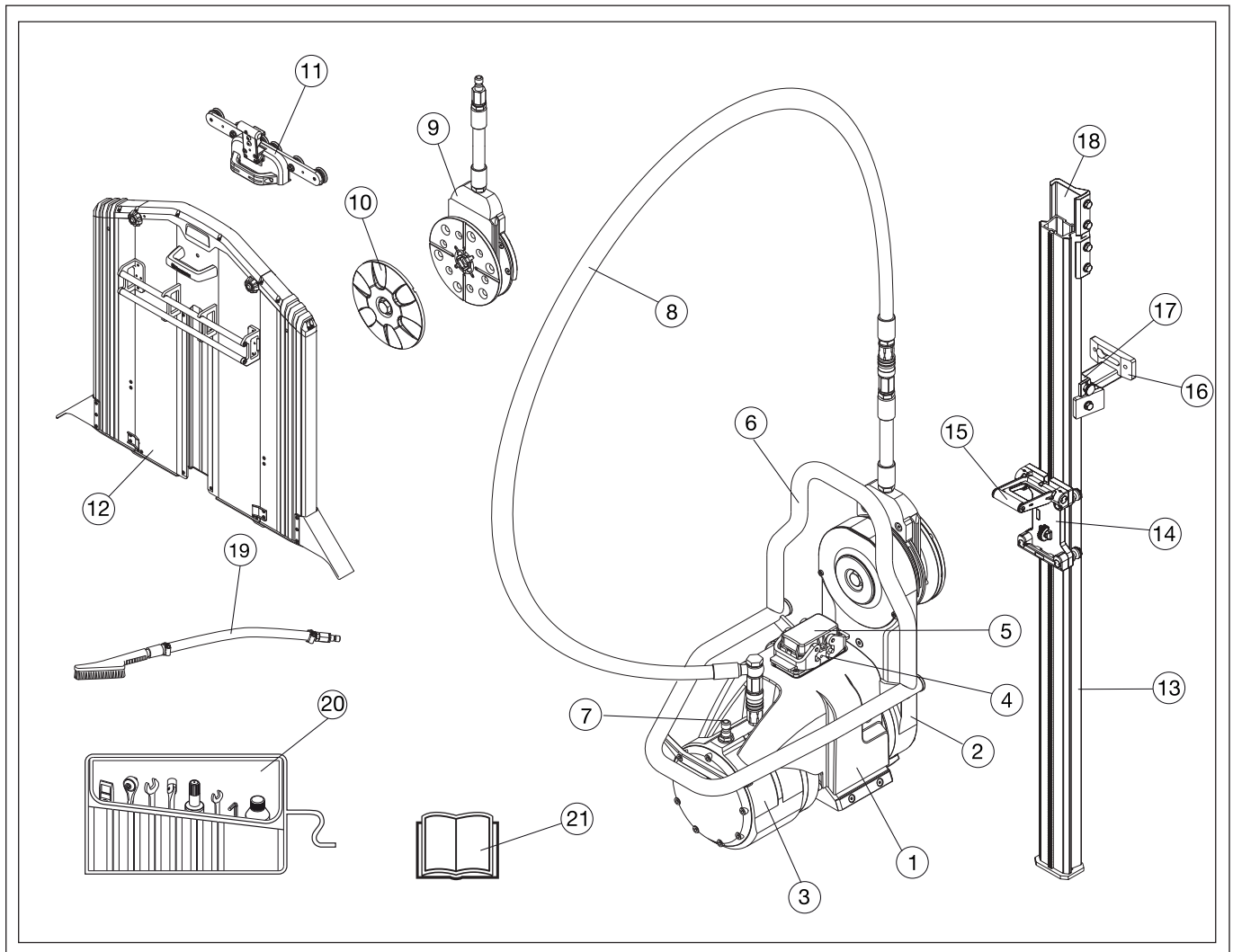
Un équipement de sciage complet est constitué de :

- Une unité de sciage
- Un rail de 1,2 m + chariot de sciage
- Un rail de 2 m + chariot de sciage
- Quatre fixations murales
- Un support de rail
- Un raccord
- Un protège-lame 800 ou un protège-lame 1000
- Une commande de protège-lame
- Un kit d'outils
- Un flacon de Husqvarna oil 220
- Des caisses de transport pour les différentes unités.
- Brosse de nettoyage
- Vis pour découpe à ras.

Un chariot de sciage est monté à l'usine sur le rail court et le rail long afin de faciliter le sciage.

Une grande partie du travail de sciage étant consacrée aux transports, l'équipement de sciage est livré dans des caisses spécialement conçues. Les caisses assurent une bonne protection durant le transport et réduisent le nombre de colis à déplacer entre les sites de travail, augmentant ainsi le rendement.

QUELS SONT LES COMPOSANTS?



Quels sont les composants de la scie murale ?

- | | | | |
|----|---|----|-------------------------|
| 1 | Unité de sciage | 12 | Protège-lame |
| 2 | Bras pivotant | 13 | Rail |
| 3 | Moteur à propulsion, lame | 14 | Chariot de sciage |
| 4 | Branchement des câbles | 15 | Poignée de verrouillage |
| 5 | Carter de protection | 16 | Fixations murales |
| 6 | Support de la poignée / du protège-lame | 17 | Support de rail |
| 7 | Raccord flexible, arrivée d'eau | 18 | Connecteur |
| 8 | Flexible à eau | 19 | Brosse de nettoyage |
| 9 | Moyeu de la bride de lame | 20 | Kit d'outils |
| 10 | Bride de lame extérieur | 21 | Manuel d'utilisation |
| 11 | Commande de protège-lame | | |

ÉQUIPEMENT DE SÉCURITÉ DE LA MACHINE

Généralités

Ce chapitre présente les équipements de sécurité de la machine, leur fonction, comment les utiliser et les maintenir en bon état. Voir au chapitre Quels sont les composants? pour trouver leur emplacement sur la machine.



AVERTISSEMENT! Ne jamais utiliser une machine dont les équipements de sécurité sont défectueux. Les équipements de sécurité doivent être contrôlés et entretenus. Reportez-vous aux instructions du chapitre Contrôle, maintenance et entretien des équipements de sécurité de la machine. Si les contrôles ne donnent pas un résultat positif, faites réparer votre machine par un atelier d'entretien.

Protège-lame

Le protège-lame doit toujours être utilisé lors de la découpe. Assurez-vous que le protège-lame est en bon état d'utilisation et que les sections extérieures peuvent être bloquées. Vérifiez également que le guide de protège-lame est bien réglé et que le mécanisme de blocage situé dans le guide de protège-lame pour la scie est en bon état d'utilisation (consultez la section Réglage du guide de protège-lame). Assurez-vous que la lame n'est pas en contact avec le protège-lame, mais qu'elle est centrée sur le protège-lame.

Poignée de verrouillage

Assurez-vous que la poignée de blocage sur le chariot de scie est bien réglée (consultez la section Réglage du chariot de scie) et que l'ensemble de scie repose en toute sécurité sur le chariot. Assurez-vous que la goupille de blocage peut être complètement insérée dans l'orifice de la poignée en position bloquée.

Butée de rail

Assurez-vous que les butées sont installées aux extrémités des rails, afin que la scie ne puisse s'en détacher.

Bloc d'alimentation

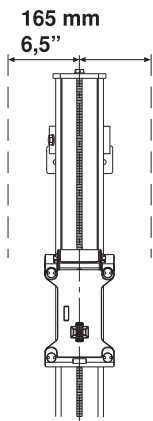
Vérifiez l'équipement de sécurité de l'unité électrique fournie. Consultez le manuel de l'unité électrique.

MONTAGE ET RÉGLAGES

Montez les fixations murales et le rail

Montez la fixation murale comme suit :

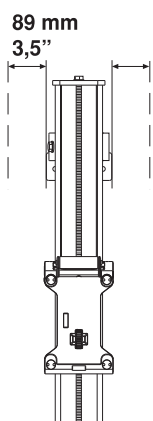
- 1 Marquez la ligne de sciage et les trous des boulons d'expansion à 165 mm (6,5") de la ligne de sciage.



- 2 Percez des trous de 15 mm (5/8") pour les boulons d'expansion M12 (1/2").
- 3 Accrochez les fixations murales (sans les serrer) dans les boulons d'expansion, généralement de type M6S 12 x 70 (1/2"x2").
- 4 Placez le rail dans les fixations murales et serrez les rondelles de serrage.

Pour des coupes verticales, il convient de monter le rail, avec la poignée de verrouillage pour le transport de la scie levée vers le haut. Cela facilite l'installation de l'unité de sciage.

- 5 Vérifier que le rail est tout à fait aligné aux sillons sur les supports muraux avant de serrer les vis.
- 6 Réglez la distance entre l'entaille et la fixation murale. La distance entre le bord et le bord intérieur de l'entaille doit être de 89 mm (3,5"). Serrez le boulon d'expansion.



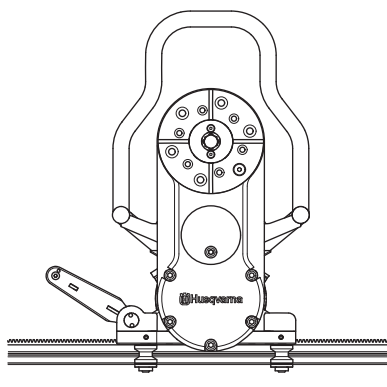
IMPORTANT! Utilisez uniquement les raccords fournis avec la scie ; les anciens raccords ne sont pas adaptés à la série WS 400.

Montez le chariot de sciage et la scie

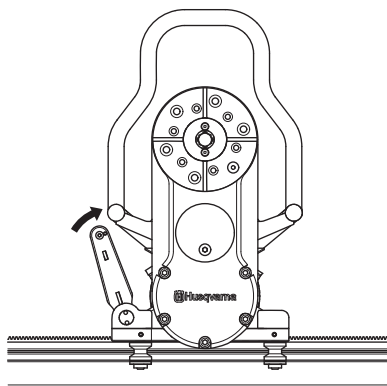


Le chariot de sciage est livré monté sur le rail. Le chariot peut être séparé du rail en retirant le butoir du rail puis en sortant le chariot.

- 1 Montez le corps de scie dans le chariot de sciage en le soulevant pour le mettre en place. Lorsque la scie est en place, la poignée de verrouillage se soulève en position intermédiaire. Dans cette position, la scie reste dans le chariot sans qu'il soit nécessaire de la maintenir. Cette position n'est cependant pas assez stable pour permettre le sciage.



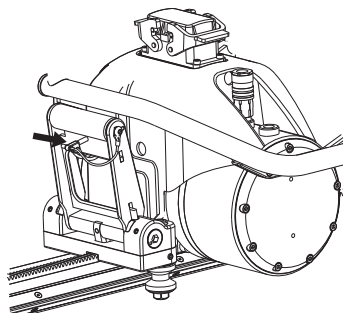
- 2 Pour fixer la scie, levez la poignée de verrouillage vers la scie jusqu'à ce que la poignée se verrouille.



AVERTISSEMENT! Danger de mort si la scie n'est pas correctement fixée dans le chariot de sciage et le rail.

Blocage de la poignée

Bloquez la poignée à l'aide de la goupille.



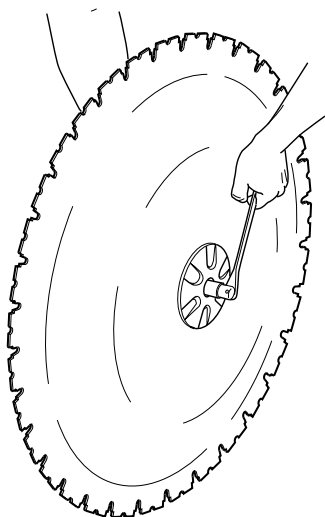
MONTAGE ET RÉGLAGES

Monter la lame

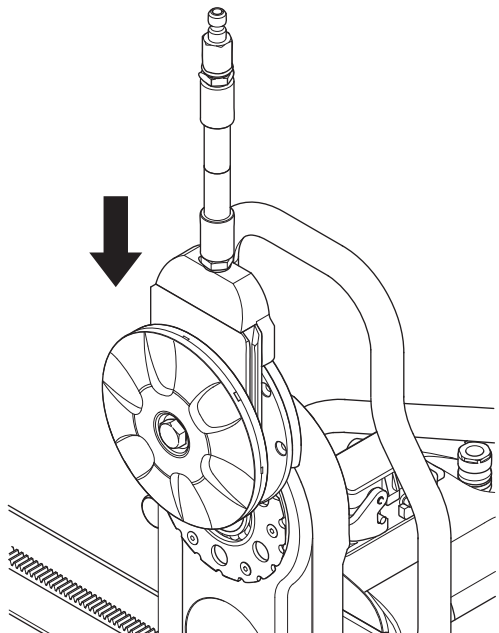


AVERTISSEMENT! Ne montez ni démontez jamais la lame ou le protège-lame sans avoir préalablement débranché le câble d'alimentation électrique de l'unité de sciage. Toute négligence peut causer de graves blessures ou peut être fatale.

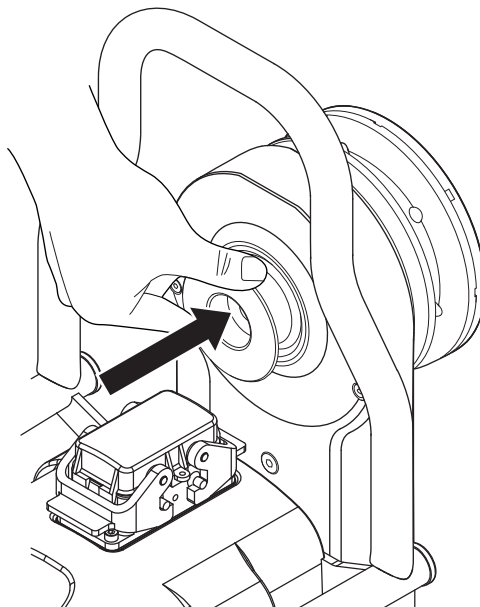
- 1 Commencez par nettoyer les surfaces de contact de la bride de la lame et de la lame afin d'éliminer les impuretés.
- 2 Contrôlez le sens de rotation de la lame. La lame doit tourner avec la partie exposée du diamant orientée dans le sens de rotation de la lame. Etant donné qu'il est possible de sélectionner le sens de rotation de la lame, le jet d'eau de la lame peut également être réglé, quelle que soit l'orientation de la scie sur le rail.
- 3 Fixez ensemble la bride de lame extérieure, la lame et le moyeu de la bride de lame (couple de serrage 70-80 Nm).



- 4 Fixez la lame avec la bride de lame et son moyeu montés sur le bras de scie (la lame n'est pas représentée sur l'illustration).



- 5 Tournez le moyeu de la bride de lame délicatement de façon à ce qu'il glisse dans l'un des rails du bras pivotant et atteigne la position adéquate pour pouvoir être vissé.
- 6 Enfoncez l'arbre de lame dans le bras de scie tout en tournant prudemment la lame. Lorsque l'arbre de scie ne peut plus être enfoncé manuellement, serrez-le à l'aide de la clé 18 fournie jusqu'à ce qu'il soit solidement en position (couple de serrage 70-80 Nm).

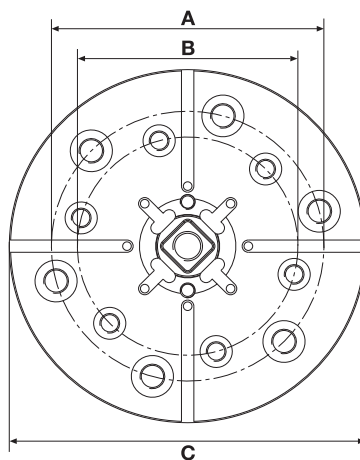


AVERTISSEMENT! Faites preuve de prudence lors du montage de la lame afin qu'elle ne risque pas de se détacher pendant le sciage. Toute négligence peut causer de graves blessures ou peut être fatale.

Découpe à ras



Dévissez la bride de lame extérieure et montez la lame sur le moyeu de la bride de lame.



A = 110 mm/4,33 pouces, 6xM10

B = 89 mm/3,5 pouces, 6xM8

C = 144 mm/5,7 pouces

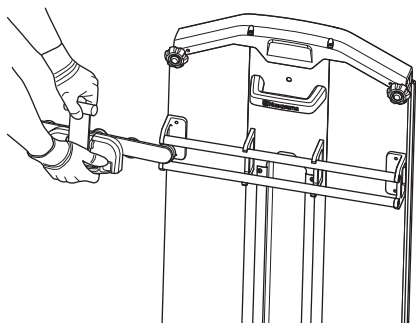
MONTAGE ET RÉGLAGES

Montage du protège-lame

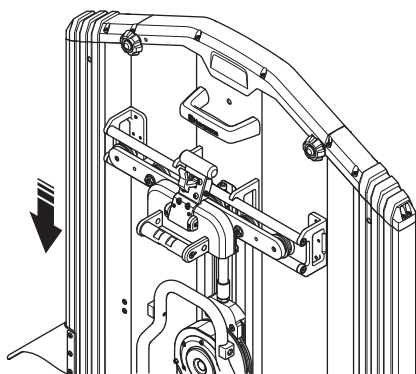


AVERTISSEMENT! Ne montez ni démontez jamais la lame ou le protège-lame sans avoir préalablement débranché le câble d'alimentation électrique de l'unité de sciage. Toute négligence peut causer de graves blessures ou peut être fatale.

- 1 Glissez le guide du protège-lame entre les supports du protège-lame. Centrez le guide du protège-lame. Verrouillez le talon en plastique de la poignée sur la position supérieure du protège-lame.

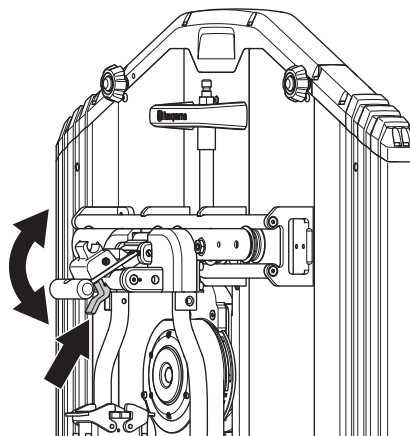


- 2 Veillez à ce que le bras pivotant soit en position verticale. Soulevez le protège-lame pour le placer sur la lame et suspendez le protège-lame dans son support sur la scie. Veillez à ce que les rails de glissement du protège-lame s'engagent dans les rainures du bloc d'eau.



- 3 Verrouillez le protège-lame en tirant la poignée vers l'extérieur puis vers le bas, vers l'unité de sciage jusqu'à ce que la poignée soit bloquée par le loquet.

- 4 Pour retirer le protège-lame, relâcher le loquet et tirer la poignée vers le haut puis vers l'intérieur, vers le protège-lame. Verrouiller le talon en plastique sur la position supérieure.



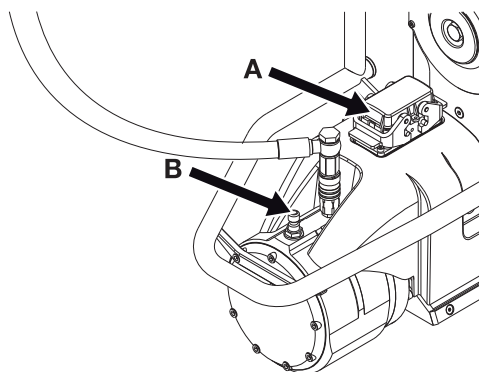
- 5 Brancher le flexible du raccordement de sortie du moteur de la scie au raccordement d'entrée sur le moyeu de la bride de lame.

Branchez le groupe moteur

IMPORTANT! Cette machine a été conçue pour être utilisée avec les unités électriques Husqvarna PP 440 HF et PP 480 HF. Toute autre utilisation est interdite.

Veillez parcourir le manuel fourni avec le groupe moteur avant de commencer à utiliser la machine.

L'unité de sciage, la lame et le protège-lame une fois montés, il convient alors de raccorder le câble d'alimentation électrique (A) et le refroidissement par eau (B).

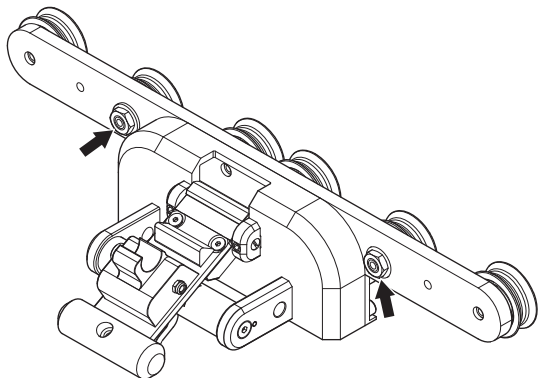


Une fois le câble d'alimentation branché à la scie, le mousqueton situé sur le câble doit être fixé à l'ensemble de scie afin d'éviter toute pression sur la prise pendant le fonctionnement. Le mousqueton doit être fixé à l'un des ceilletons de support de la poignée, vissée à l'arrière du moteur d'entraînement.

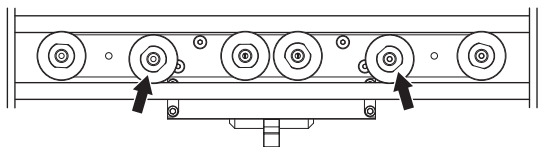
MONTAGE ET RÉGLAGES

Réglage du guide de protège-lame

- Desserrez les écrous des deux roues de guide réglables.



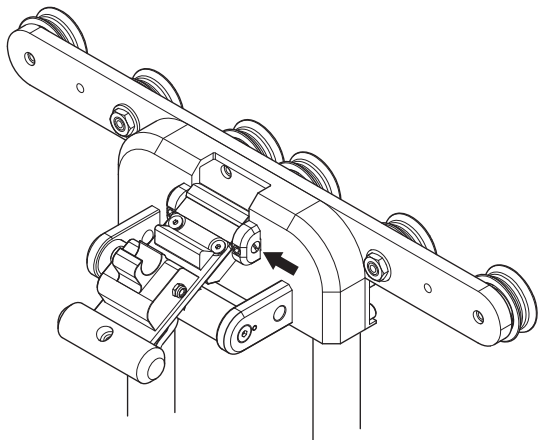
- Posez le guide de protège-lame sur le protège-lame.
- Faites tourner les arbres de l'arbre à cames excentré à l'aide d'une clé de 22 mm, jusqu'à ce que les roues du guide soient en contact avec le rail.



- Maintenez l'arbre en position à l'aide d'une clé de 22 mm et serrez l'écrou à l'aide d'une clé de 16 mm.
- Assurez-vous que les roues tournent librement et qu'aucun jeu n'est présent au niveau du guide de protège-lame.

Réglage de la poignée de blocage du guide de protège-lame

- Posez le guide de protège-lame sur l'ensemble de scie.
- Desserrez les deux vis supérieures à l'aide d'une clé à six pans de 3 mm.
- Réglez la poignée de blocage en faisant tourner l'arbre à cames excentré à l'aide d'un tournevis, jusqu'à ce que la poignée de blocage soit serrée autour du support de protège-lame.



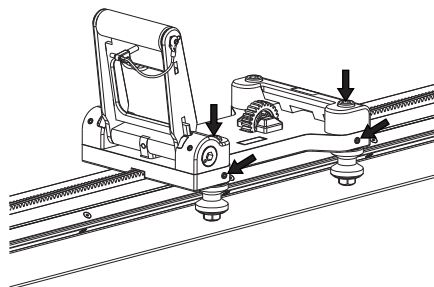
- Serrez les deux vis supérieures à l'aide d'une clé à six pans de 3 mm.
- Déposez les 4 vis maintenant le verrou encliquetable en position à l'aide d'une clé à six pans de 4 mm.
- Réglez le verrou encliquetable. Celui-ci doit être serré autour du rail supérieur.
- Serrez les 4 vis maintenant le verrou encliquetable en position à l'aide d'une clé à six pans de 4 mm.

Réglage des roues de guidage

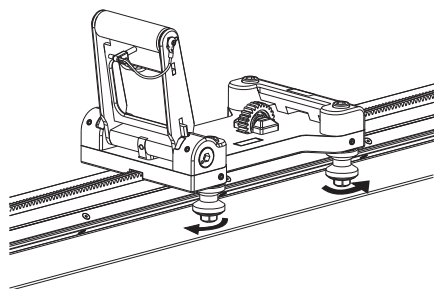
Pour obtenir un fonctionnement stable de la scie et des entailles droites, les quatre roues de guidage doivent être en contact avec le rail et ne pas présenter de jeu.

Vérifiez les roues de guidage avant chaque découpe. En cas de jeu entre le chariot de sciage et le rail, réglez les roues de guidage :

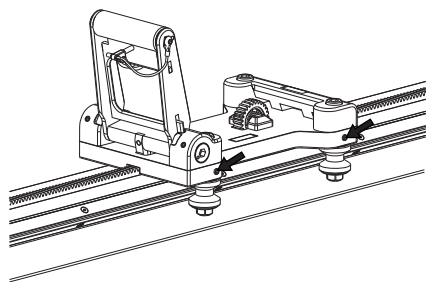
Desserrez les deux vis hexagonales M10 à l'aide d'une clé à six pans de 8 mm. Desserrez également les deux vis d'arrêt maintenant les deux roues de guide excentrées à l'aide d'une clé à six pans de 3 mm.



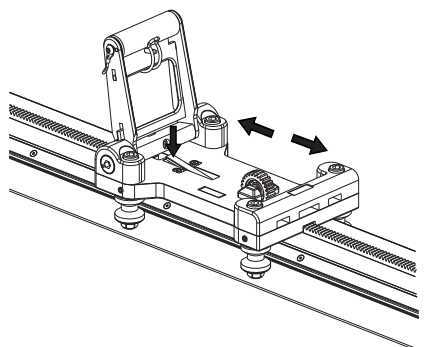
Faites tourner les arbres délicatement à l'aide d'une clé mixte de 16 mm, jusqu'à ce que les roues de guide reposent contre le rail.



Maintenez la clé mixte de 16 mm en position et serrez les deux vis d'arrêt à l'aide d'une clé à six pans de 3 mm.

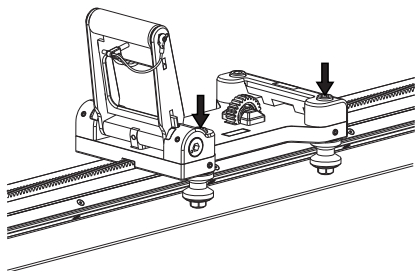


Appuyez sur le dispositif de blocage et tirez manuellement le chariot de scie dans les deux sens. Le chariot doit glisser facilement, en rencontrant une légère résistance. Les 4 roues de guide doivent tourner.



MONTAGE ET RÉGLAGES

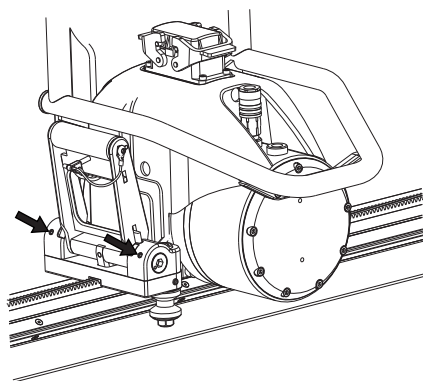
Serrez les vis à l'aide d'une clé à six pans de 8 mm. Répétez l'étape précédente.



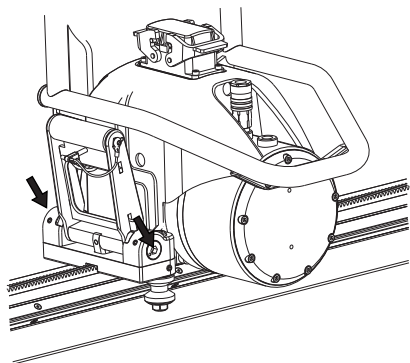
Réglage de la scie dans le chariot de sciage

En raison de l'usure de la scie, il peut être utile de vérifier, après quelques heures d'utilisation, que l'unité de sciage est bien en place dans le chariot de sciage et sur le rail. Si ce n'est pas le cas, la poignée doit probablement être réglée :

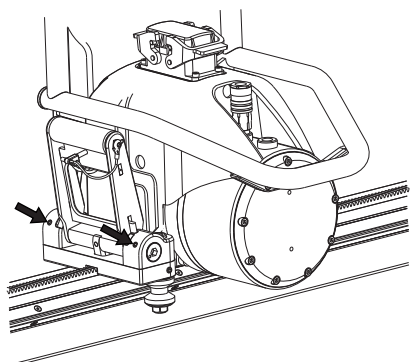
Desserrez les deux vis supérieures à l'aide d'une clé à six pans de 3 mm.



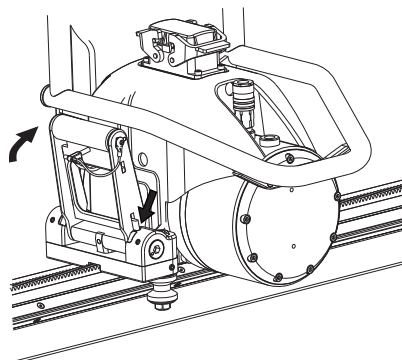
Faites tourner les deux manchons excentrés à l'aide d'une clé à six pans de 8 mm, jusqu'à ce que l'arbre soit serré et parallèle à l'ensemble de scie.



Serrez les deux vis supérieures à l'aide d'une clé à six pans de 3 mm.



Assurez-vous que la poignée de blocage est bien réglée en l'ouvrant et en la fermant. Vérifiez que le verrou à ressort est en position bloquée.



Fixez ensuite la poignée bloquée à l'aide de la goupille de blocage.

COMMANDE

Équipement de protection

Généralités

Ne jamais utiliser une machine s'il n'est pas possible d'appeler au secours en cas d'accident.

Équipement de protection personnelle

Un équipement de protection personnelle homologué doit impérativement être utilisé lors de tout travail avec la machine. L'équipement de protection personnelle n'élimine pas les risques mais réduit la gravité des blessures en cas d'accident. Demander conseil au concessionnaire afin de choisir un équipement adéquat.



AVERTISSEMENT! L'utilisation de produits tels que des ciseaux, des disques, des forets, des disques fins ou des formes peut générer de la poussière et des vapeurs pouvant contenir des substances chimiques toxiques. Vérifiez la composition du matériel avec lequel vous travaillez et portez un masque respiratoire adapté.

Une exposition prolongée au bruit risque de causer des lésions auditives permanentes. Toujours utiliser des protecteurs d'oreille agréés. Soyez toujours attentifs aux signaux d'alerte ou aux appels en portant des protège-oreilles. Enlevez-les sitôt le moteur arrêté.

Le risque de coincement est toujours présent lors de travail avec des produits comportant des éléments mobiles. Utiliser des gants de protection pour éviter les blessures personnelles.

Toujours utiliser:

- Casque de protection homologué
- Protecteur d'oreilles
- Lunettes protectrices ou visière
- Masque respiratoire
- Gants solides permettant une prise sûre.
- Vêtements confortables, robustes et serrés qui permettent une liberté totale de mouvement.
- Bottes avec coquille en acier et semelle antidérapante.

Attention! Les habits, les cheveux longs et les bijoux peuvent se coincer dans les parties en mouvement.

Autre équipement de protection



AVERTISSEMENT! Lorsque vous travaillez avec la machine, des étincelles peuvent se former et mettre le feu. Gardez toujours à portée de main les outils nécessaires à l'extinction d'un feu.

- Matériel de protection contre le feu
- Une trousse de premiers secours doit toujours être disponible.

Instructions générales de sécurité



AVERTISSEMENT! Lire toutes les consignes et instructions de sécurité. Le non-respect des consignes et instructions peut provoquer une électrocution, un incendie et/ou des blessures graves.

Le présent chapitre décrit les consignes de sécurité de base relatives à l'utilisation de la machine. Aucune de ces informations ne peut remplacer l'expérience et le savoir-faire d'un professionnel. Si vous êtes confronté à une situation où vous pensez ne pas être en sécurité, arrêtez immédiatement et consultez un spécialiste. Veillez contacter votre revendeur, votre atelier de réparation ou un utilisateur expérimenté. Il convient d'éviter tous les travaux pour lesquels vous ne vous sentez pas suffisamment qualifié !

- Lire attentivement et bien assimiler le manuel d'utilisation avant d'utiliser la machine.
- Cette machine a été conçue pour être utilisée avec les unités électriques Husqvarna PP 440 HF et PP 480 HF. Toute autre utilisation est interdite.
- Veuillez parcourir le manuel fourni avec le groupe moteur avant de commencer à utiliser la machine.
- La machine peut provoquer des blessures personnelles graves. Lire attentivement les consignes de sécurité. Apprendre à bien utiliser la machine.
- Cette machine est conçue pour le sciage de béton, de brique et de divers autres matériaux à base de pierre. Elle n'est destinée à aucune autre utilisation.
- N'oubliez pas que l'opérateur est responsable des accidents ou dangers aux tiers et à leurs biens.
- Tous les opérateurs doivent recevoir une formation sur l'utilisation de la machine. Il incombe au propriétaire de garantir que les opérateurs reçoivent une formation.
- La machine doit rester propre. Les signes et autocollants doivent être parfaitement lisibles.



AVERTISSEMENT! La machine utilisée de manière imprudente ou inadéquate peut devenir un outil dangereux, pouvant causer des blessures graves voire mortelles à l'utilisateur et aux autres personnes présentes.

Ne jamais permettre à des enfants ou à des personnes ne possédant pas la formation nécessaire d'utiliser ou d'entretenir la machine. Ne jamais laisser d'autres personnes utiliser la machine sans s'être assuré au préalable que ces personnes ont bien compris le contenu du mode d'emploi.

Éviter d'utiliser la machine en cas de fatigue, d'absorption d'alcool ou de prise de médicaments susceptibles d'affecter l'acuité visuelle, le jugement ou la maîtrise du corps.

AVERTISSEMENT! Toute modification non autorisée et/ou tout emploi d'accessoires non homologués peuvent provoquer des accidents graves voire mortels pour l'utilisateur et les autres.

Ne modifiez jamais cette machine de façon à ce qu'elle ne soit plus conforme au modèle d'origine et n'utilisez jamais une machine qui semble avoir été modifiée.

N'utilisez jamais une machine, une batterie ou un chargeur de batterie défectueux. Suivez les instructions de contrôle, de maintenance et d'entretien indiquées dans ce manuel. Certaines opérations de maintenance et d'entretien doivent être réalisées par un spécialiste dûment formé et qualifié. Voir les instructions du chapitre Entretien. N'utiliser que des pièces de rechange d'origine.

Sécurité du travail

Ne pas utiliser la machine sans avoir lu et compris préalablement le présent manuel d'utilisation.

Sécurité dans l'espace de travail

- Contrôlez toujours la partie arrière du mur traversé par la lame lors du sciage. Délimitez la zone de travail et assurez-vous que personne ne peut être blessé ni aucun matériau endommagé.
- Contrôlez toujours et marquez les emplacements des conduites de gaz. Scier près d'une conduite de gaz est toujours synonyme de danger. Veillez à éviter la formation d'étincelles lors du sciage en raison d'un certain risque d'explosion. L'opérateur doit toujours être attentif et concentré sur son travail. La négligence peut causer des blessures personnelles graves voire mortelles.
- Assurez-vous qu'aucun tuyau ou câble électrique ne passe par la zone de travail ou dans le matériau à découper.
- Contrôlez que les câbles électriques présents dans la zone de travail ne sont pas sous tension.
- Vérifier qu'aucune personne et qu'un animal ne se trouvent à moins de 4 mètres (15 pieds) quand la machine est utilisée.
- Ne pas travailler par mauvais temps: par exemple en cas de brouillard épais, de pluie, de vent violent, de froid intense, etc. Travailler par mauvais temps est fatiguant et peut créer des conditions de travail dangereuses telles que le verglas.
- S'assurer que l'éclairage de la zone de travail est suffisant pour que l'environnement de travail soit de toute sécurité.
- Toujours adopter une position de travail sûre et stable.

Sécurité électrique



AVERTISSEMENT! Il existe toujours un risque de choc avec les machines électriques. Évitez de travailler par mauvais temps ainsi que tout contact du corps avec du métal/un parafoudre. Suivez toujours les instructions du manuel d'utilisation pour éviter tout dommage.

- Ne jamais porter la machine par le câble et ne jamais débrancher la prise en tirant sur le câble.
- Tenez à l'écart et protégez tous les câbles de l'eau, de l'huile et de bords tranchants. Veillez à ce que le câble ne soit pas coincé dans des portes, des clôtures ou tout autre équipement similaire. Des objets pourraient alors être sous tension.
- Contrôlez que les câbles sont intacts et en bon état. Utilisez le câble destiné à un usage externe.
- Ne pas utiliser la machine si le câble est endommagé. Il convient dès lors de la confier à un atelier de réparation agréé.
- La machine doit être branchée à une prise de terre.
- Contrôler que la tension secteur est conforme aux indications sur la plaque de la machine.

Sécurité du personnel

- Ne laissez jamais la machine sans surveillance avec le moteur en marche.
- Ne jamais scier de façon telle que vous ne pouvez atteindre facilement le bouton d'arrêt d'urgence, que ce soit sur la commande à distance ou sur le groupe moteur. Voir le manuel du groupe moteur.
- Lors de l'utilisation des machines, prévoyez toujours une personne à proximité afin de pouvoir obtenir de l'aide en cas d'accident.
- Les personnes devant se tenir à proximité doivent porter des protecteurs d'oreilles car le niveau sonore lors du sciage dépasse 85 dB(A).
- Faites preuve de prudence en cas de levage. Le maniement de pièces lourdes implique un risque de coinçage ou autre blessure.
- Des personnes ou des animaux peuvent détourner l'attention de l'opérateur et l'amener à perdre le contrôle de la machine. C'est pourquoi l'opérateur doit toujours être attentif et concentré sur son travail.
- Attention! Les habits, les cheveux longs et les bijoux peuvent se coincer dans les parties en mouvement.

Utilisation et entretien

- Contrôlez que le protège-lame n'est pas endommagé et qu'il est monté correctement.
- Ne jamais utiliser des lames autres que les lames d'origine destinées à la machine. Demander à votre revendeur Husqvarna quelle est la lame la plus appropriée pour votre utilisation.
- N'utilisez jamais une lame endommagée ou usée.
- Ne montez ni démontez jamais la lame ou le protège-lame sans avoir préalablement débranché le câble d'alimentation électrique de l'unité de sciage.
- Ne jamais débrancher le câble d'alimentation électrique sans avoir préalablement éteint le groupe moteur et attendu que le moteur s'arrête complètement.
- Ne procédez jamais à une découpe sans utiliser le protège-lame.
- Contrôler que la lame n'est pas en contact avec quoi que ce soit quand la machine est démarrée
- Tenez-vous à distance de la lame lorsque le moteur tourne.
- Toujours utiliser le refroidissement par eau. Ceci permet de refroidir les lames, d'augmenter leur durée de vie et de réduire la formation de poussière.
- Vérifiez que tous les couplages, raccordements et câbles sont intacts et qu'ils sont propres.
- Avant le sciage, toutes les entailles doivent être marquées clairement et planifiées de manière à pouvoir être effectuées sans danger pour les personnes ou la machine.
- Calez ou attachez solidement les blocs de béton avant de procéder à la découpe. Le poids élevé du matériau scié peut causer des dommages importants sur la machine ainsi que de graves blessures corporelles s'il ne peut être déplacé de façon maîtrisée.

COMMANDE

Transport et rangement

- Veillez à toujours éteindre le groupe moteur et à débrancher le câble électrique avant de déplacer l'équipement.
- Démontez la lame et le protège-lame avant le transport ou le remisage.
- Stockez l'équipement dans un endroit verrouillé afin de le maintenir hors de portée des enfants et de toute personne incompétente.
- S'il y a un risque de gel, la machine doit être vidangée de toute eau de refroidissement restante.
- Utilisez les boîtes fournies pour le remisage de l'équipement.

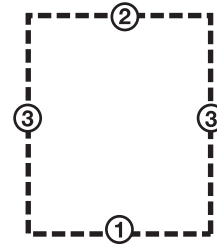
Techniques de travail de base



- Commencez toujours par scier une rainure de guidage. Ceci s'effectue en enfonçant la lame de 3-7 cm (1,2"-2,8"). Sciez ensuite la rainure de guidage. L'entaille ne doit pas être sciée à la vitesse maximale mais au contraire prudemment afin qu'elle soit droite et facilite donc l'entaille suivante. Le bras pivotant permet l'utilisation de lames pouvant atteindre 1 000 mm comme lame de démarrage. Toutefois, il est recommandé de commencer la découpe à l'aide d'une lame de 800 mm (31.5").
- Lorsque l'entaille de guidage est prête, des entailles plus profondes peuvent être sciées. La profondeur de ces entailles est déterminée au cas par cas et dépend de facteurs tels que la dureté du béton, la présence de fer d'armature, etc. Le diamètre max. recommandé de la lame pour des coupes plus profondes est de 1 200 mm (47").
- Si vous changez de lame pour poursuivre une découpe dans la même entaille, veillez à ce que l'épaisseur de la lame corresponde à la largeur de l'entaille.
- Laissez travailler la machine sans essayer de forcer ni d'enfoncer la lame.
- Calez ou attachez solidement les blocs de béton avant de procéder à la découpe. Le poids élevé du matériau scié peut causer des dommages importants sur la machine ainsi que de graves blessures corporelles s'il ne peut être déplacé de façon maîtrisée.

Découpe de blocs

- Effectuer tout d'abord la découpe horizontale inférieure. Procéder ensuite à la découpe horizontale supérieure. Terminer par les deux coupes verticales.



- Si la découpe horizontale supérieure est réalisée avant la découpe horizontale inférieure, la pièce de travail tombe sur la lame et la coince.
- Pour la dernière découpe, il convient d'avoir préalablement monté la scie sur un mur adjacent fixe.
- Dans la mesure où le rail est symétrique, l'unité de sciage peut être tournée sur le rail afin d'effectuer une autre entaille de l'autre côté du rail. De cette manière, les morceaux sciés sont de dimensions facilitant la manipulation et le transport hors de la zone de travail.
- Etant donné qu'il est possible de sélectionner le sens de rotation de la lame, le jet d'eau de la lame peut également être réglé, quelle que soit l'orientation de la scie sur le rail.

DÉMARRAGE ET ARRÊT

Avant le démarrage

- Fermez la zone de sciage afin que les personnes non autorisées ne risquent pas d'être blessées ou de déranger l'opérateur.
- Vérifiez la lame et le protège-lame afin de détecter d'éventuels dommages ou fissures. Remplacez la lame ou le protège-lame s'ils ont subi des coups ou s'ils présentent des fissures.
- Vérifiez que tous les câbles et l'arrivée d'eau sont correctement branchés sur la machine avant de la démarrer.
- Si le sciage doit être entamé à un autre endroit que là où se trouve l'unité de sciage, amenez cette dernière sur la position de départ.

Démarrage

Suivez les instructions de démarrage du manuel fourni avec le groupe moteur.

Arrêt

- Une fois le sciage terminé, sortez la lame du mur et arrêtez la rotation de la lame et le débit d'eau.
- Eteignez le groupe moteur.

Démontage de la scie

- 1 Laissez le moteur s'arrêter complètement.
- 2 Coupez l'alimentation électrique du groupe moteur.
- 3 Eteignez et retirez le raccordement d'arrivée d'eau au groupe moteur.
- 4 Retirez le câble électrique et le flexible d'eau de l'unité de sciage.
- 5 Les autres étapes du démontage s'effectuent comme celle du montage mais dans l'ordre inverse.

Nettoyage

Une fois le sciage terminé, la scie doit être nettoyée. Il est important que tout l'équipement de sciage soit nettoyé. Pour le nettoyage de la scie, il est préférable d'utiliser la broche fournie que l'on raccorde au flexible d'eau.

IMPORTANT! N'utilisez pas de nettoyeur haute pression pour le nettoyage de la scie.

Service

IMPORTANT! Toutes les réparations doivent être effectuées par des réparateurs agréés. Ceci permet d'éviter que les opérateurs ne soient exposés à des risques importants.

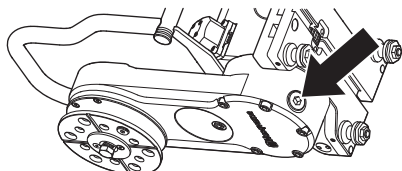
Après 100 heures d'utilisation apparaît à l'écran le message "Time for servicing" (entretien requis). Il convient alors de confier l'équipement complet à un revendeur Husqvarna agréé pour son entretien.

Entretien

IMPORTANT! Les contrôles et/ou les entretiens doivent être effectués avec le moteur à l'arrêt et la prise électrique débranchée.

Vidange d'huile, bras de scie

- Le bras de scie comporte un bouchon d'huile permettant la vidange d'huile. Ce bouchon doit être nettoyé lors de la vidange d'huile. L'huile neuve se verse par le trou à l'emplacement du bouchon d'huile.

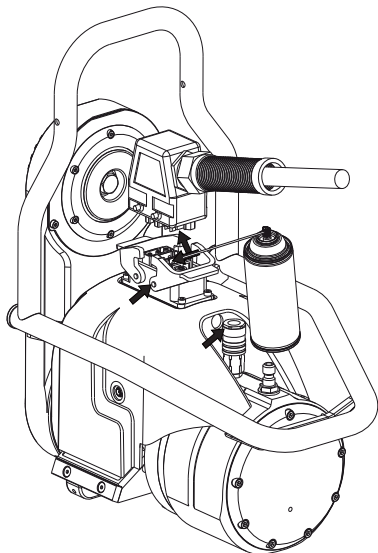


- Le bras de scie contient 3 dl de Husqvarna Oil 220, une huile de transmission du type EP 220. L'huile doit être vidangée pour la première fois lors du premier entretien. Lors de l'achat, la scie est livrée avec un flacon d' 3 dl d'huile.

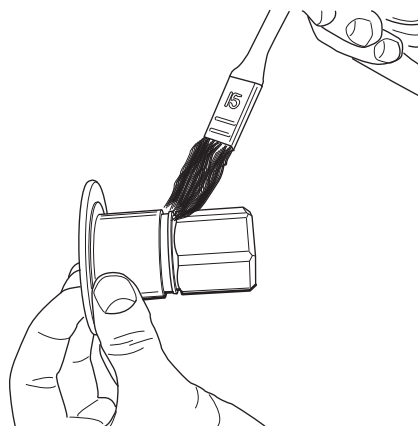
IMPORTANT! L'huile de moteur et de transmission usagée est dangereuse pour la santé et elle ne doit pas être versée sur le sol ou rejetée dans la nature.

Entretien quotidien

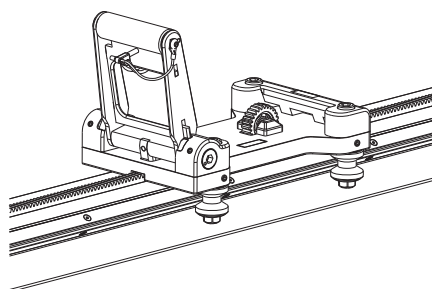
- Vérifiez que tous les couplages, raccordements et câbles sont intacts et qu'ils sont propres. Nettoyez à l'aide d'une brosse ou d'un chiffon, puis lubrifiez les goupilles de contact et les prises de verrouillage avec du spray lubrifiant et nettoyant. Assurez-vous que les contacts sont bien serrés les uns contre les autres lorsque les prises sont verrouillées. Lubrifiez également les manchons des raccords d'eau.



- Afin d'installer l'axe de lame aussi aisément que possible dans le flasque de lame, il peut s'avérer nécessaire de le nettoyer et de le lubrifier. Vérifiez quotidiennement que l'axe de lame tourne librement et que l'hexagone n'est pas endommagé.



- Vérifiez que le chariot de scie est bien réglé par rapport aux roues de guide et que la poignée de blocage est bien réglée. Consultez la section Réglage pour obtenir des consignes.



- Vérifiez que la lame et le protège-lame ne présentent pas de fissures ou autres dommages. Remplacez le protège-lame et/ou la lame s'ils ont été exposés à une usure anormale. Vérifiez également que la roue du guide de protège-lame tourne sans rencontrer de résistance excessive et que le guide est bien aligné avec le protège-lame et la scie. Consultez les sections Montage et Réglages.
- Vérifiez que les tuyaux et les câbles sont intacts.
- Nettoyer l'extérieur de la machine. N'utilisez pas de nettoyeur haute pression pour le nettoyage de la scie.

CARACTÉRISTIQUES TECHNIQUES

WS 440 HF

Poids

Chariot de sciage, kg/lbs	3,7/8,2
Unité de sciage, kg/lbs	25/55,1
Protège-lame 800 mm, kg/lbs	13/28,7
Protège-lame 1000 mm, kg/lbs	16/35,3
Rail 1200 mm (47") kg/lbs	9,5/20,9
Rail 2000 mm (79") kg/lbs	19

Dimension de la lame

Dimension max. de lame, mm/pouces	1200/47,2
Dimension min. de la lame, mm/pouces	600/23,6
Lame de démarrage - max., mm/pouces	1000/39,4

Profondeur max. de la scie, mm/pouces	530/20,9
---------------------------------------	----------

Moteur d'entraînement de la lame	PM High cycle
Puissance max. de l'arbre, kW	13
Transmission	Entraînement par engrenages
Régime de l'arbre de sortie, tr/min.	0-1225
Système/contrôle d'alimentation	Electrique/auto

Couple moteur de la lame - max., Nm	125
Couple de démarrage, Nm	100

Temp. de l'eau de refroidissement à 3,5 l/min. - max, °C	25
Pression max. de l'eau de refroidissement, bar	7

Classe de protection	IP 65
----------------------	-------

Émissions sonores (voir remarque 1)

Niveau de puissance sonore mesuré dB(A)	108
Niveau de puissance sonore garanti L_{WA} dB(A)	109

Niveaux sonores (voir remarque 2)

Niveau de pression acoustique au niveau des oreilles de l'utilisateur, dB(A)	85
--	----

Remarque 1: Émission sonore dans l'environnement mesurée comme puissance acoustique (L_{WA}) selon EN 15027/A1.

Remarque 2: Niveau de pression sonore conformément à EN 15027/A1. Les données reportées pour le niveau de pression sonore montrent une dispersion statistique typique (déviatoin standard) de 1,0 dB (A).

CARACTÉRISTIQUES TECHNIQUES

Vitesse lame recommandée



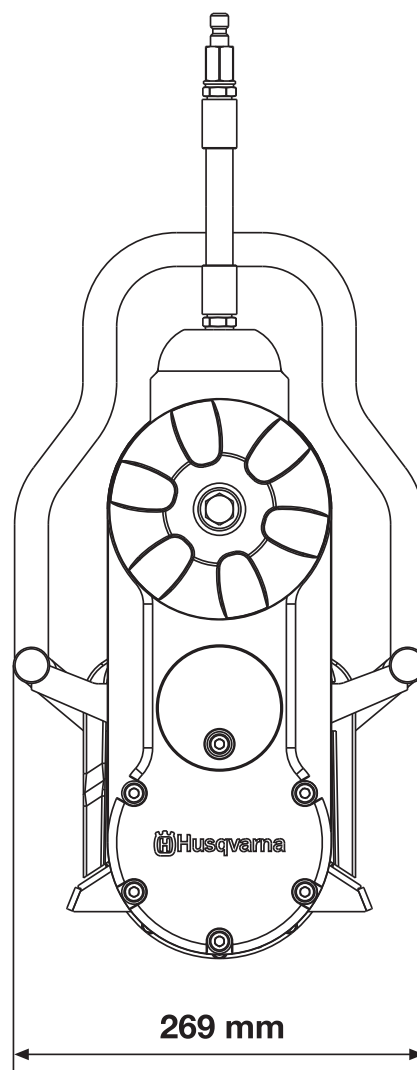
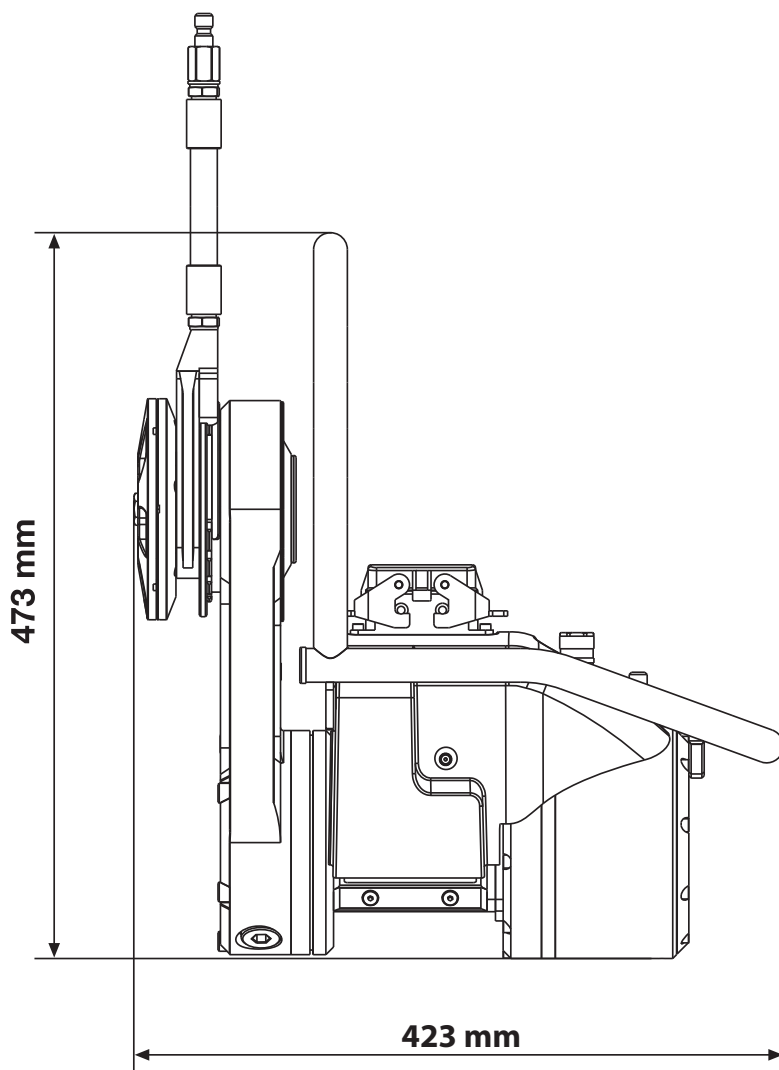
AVERTISSEMENT! Couper à un régime trop élevé peut endommager la lame et engendrer des blessures individuelles.

Lors du choix de la lame, suivre les recommandations du fabricant en ce qui concerne le matériau et la vitesse. Pour une coupe dans du béton dur, il convient d'utiliser une vitesse de lame inférieure à celle utilisée pour une coupe dans du béton moins dense.

	600 mm (24")	800 mm (32")	1000 mm (40")	1200 mm (48")
600 tr/min				
700 rpm				
800 rpm				
900 rpm				
1000 rpm				
1100 rpm				
1200 tr/min				

Béton	
	Dur
	Moyen
	Doux

Dimensions



CARACTÉRISTIQUES TECHNIQUES

Déclaration CE de conformité

(Concerne seulement l'Europe)

Husqvarna AB, SE-561 82 Huskvarna, Suède, tél. : +46-36-146500, déclarons que la scie murale **Husqvarna WS 440 HF** à partir des numéros de série de l'année de fabrication 2010 et ultérieurement (l'année est indiquée en clair sur la plaque d'identification et suivie du numéro de série) est conforme aux dispositions des DIRECTIVES DU CONSEIL :

- du 17 mai 2006 "directive machines" **2006/42/CE**.
- du 15 décembre 2004 "compatibilité électromagnétique" **2004/108/CE**.
- du 12 décembre, 2006 "relatives aux équipements électriques" **2006/95/CE**.
- Directive **2011/65/UE** du 8 juin 2011 « relative à la limitation de l'utilisation de certaines substances dangereuses »

Les normes harmonisées suivantes ont été appliquées: EN ISO 12100:2010, EN 55014-1:2006, EN 55014-2/A1:2001, EN 61000-3-11:2000, EN 15027/A1:2009.

Göteborg, le 12 avril 2015



Helena Grubb

Vice-président, équipements de construction

Husqvarna AB

(Représentant autorisé d'Husqvarna AB et responsable de la documentation technique.)

ACLARACIÓN DE LOS SÍMBOLOS

Símbolos en la máquina:

¡ATENCIÓN! La máquina, si se utiliza de forma errónea o descuidada, puede ser una herramienta peligrosa que puede causar daños graves e incluso la muerte al usuario y a otras personas.



Lea detenidamente el manual de instrucciones y asegúrese de entender su contenido antes de utilizar la máquina.



Utilice siempre:

- Casco protector homologado
- Protectores auriculares homologados
- Gafas protectoras o visor
- Máscara respiratoria



Este producto cumple con la directiva CE vigente.



Etiquetado ecológico. El símbolo en el producto o en su envase indica que no se puede tratar este producto como desperdicio doméstico. Deberá por lo tanto depositarse en un centro de recogida adecuado para el reciclado de equipos eléctricos y electrónicos.



Haciendo que este producto sea manipulado adecuadamente, se ayuda a evitar consecuencias negativas potenciales para el medio ambiente y las personas, lo que puede ocurrir con la manipulación inadecuada como residuos del producto.

Para obtener información más detallada sobre el reciclado de este producto, contacte con la oficina municipal local, con el servicio de eliminación de desperdicios domésticos o con la tienda donde compró el producto.

Explicación de los niveles de advertencia

Las advertencias se clasifican en tres niveles.

¡ATENCIÓN!



¡ATENCIÓN! Indica un riesgo de daños graves para el usuario o incluso muerte, o bien daños al entorno, si no se siguen las instrucciones del manual.

¡IMPORTANTE!



¡IMPORTANTE! Indica un riesgo de lesiones para el usuario o daños al entorno si no se siguen las instrucciones del manual.

¡NOTA!

¡NOTA! Indica un riesgo de daños en los materiales o en la máquina si no se siguen las instrucciones del manual.

Los demás símbolos/etiquetas que aparecen en la máquina corresponden a requisitos de homologación específicos en determinados mercados.

Índice

ACLARACIÓN DE LOS SÍMBOLOS

Símbolos en la máquina:	59
Explicación de los niveles de advertencia	59

ÍNDICE

Índice	60
--------------	----

PRESENTACIÓN

Apreciado cliente:	61
Diseño y funciones	61
WS 440 HF	61

¿QUÉ ES QUÉ?

¿Componentes de la sierra de pared?	63
---	----

EQUIPO DE SEGURIDAD DE LA MÁQUINA

Generalidades	64
---------------------	----

MONTAJE Y AJUSTES

Riel y accesorios del soporte de pared	65
Instalación del carro y de la sierra	65
Monte el disco	66
Corte liso	66
Monte la protección del disco	67
Conecte la unidad eléctrica	67
Ajuste de la guía de la protección de la hoja	68
Ajuste de la manivela de cierre de la guía de la protección de la hoja	68
Ajuste de las ruedas de guía	68
Ajuste la sierra en el carro	69

FUNCIONAMIENTO

Equipo de protección	70
Instrucciones generales de seguridad	70
Seguridad en el trabajo	71
Técnica básica de trabajo	72

ARRANQUE Y PARADA

Antes del arranque	73
Arranque	73
Parada	73
Desmontaje de la sierra	73
Limpieza	73

MANTENIMIENTO

Servicio	74
Mantenimiento	74
Mantenimiento diario	74

DATOS TÉCNICOS

WS 440 HF	75
Declaración CE de conformidad	77

Apreciado cliente:

Gracias por elegir un producto Husqvarna.

Esperamos que su máquina le proporcione plena satisfacción y le sirva de ayuda por mucho tiempo en adelante. La adquisición de alguno de nuestros productos da acceso a asistencia profesional con reparaciones y servicio. Si la máquina no fue adquirida en un distribuidor oficial, preguntar en la tienda de compra la dirección del taller de servicio más cercano.

Este manual de instrucciones es un documento importante. Procure tenerlo siempre a mano en el lugar de trabajo. Siguiendo sus instrucciones (de uso, servicio, mantenimiento etcétera) puede alargar considerablemente la vida útil de la máquina e incrementar su valor de reventa. Si vende su máquina, entregue el manual de instrucciones al nuevo propietario.

Más de 300 años de innovación

La fundación de la empresa sueca Husqvarna AB data del año 1689, cuando el Rey Karl XI encargó la construcción de una fábrica para la fabricación de mosquetes. En ese momento se establecieron los cimientos de la experiencia tecnológica en la que se basan muchos de los productos punteros en el mundo en el sector de las armas de caza, bicicletas, motocicletas, electrodomésticos, máquinas de coser y productos para exteriores.

Husqvarna es líder internacional en productos motorizados para exteriores destinados a la silvicultura, el mantenimiento de parques y el cuidado del césped y del jardín, así como equipos de corte y herramientas de diamante para el sector de la construcción y la piedra.

Responsabilidad del propietario

El propietario / empresario es el responsable de asegurarse de que el usuario tiene los conocimientos necesarios para utilizar la máquina con seguridad. Los supervisores y los usuarios deben haber leído y entendido el manual de instrucciones. Deben tener conocimiento de lo siguiente:

- Las instrucciones de seguridad de la máquina.
- Las aplicaciones y las limitaciones de la máquina.
- El modo de uso y de mantenimiento de la máquina.

La utilización de esta máquina podría estar regulada por la legislación nacional vigente. Infórmese sobre la legislación vigente en el lugar donde trabaja antes de empezar a utilizar la máquina.

Los derechos que se reserva el fabricante.

Toda la información y todos los datos contenidos en este manual de instrucciones son vigentes en la fecha de impresión del manual.

Tras la publicación de este manual, Husqvarna podría publicar información adicional para el funcionamiento seguro de este producto. Es responsabilidad del propietario mantenerse informado de los métodos de funcionamiento más seguros.

Husqvarna AB trabaja constantemente para perfeccionar sus productos y se reserva, por lo tanto, el derecho a introducir modificaciones en la construcción y el diseño sin previo aviso.

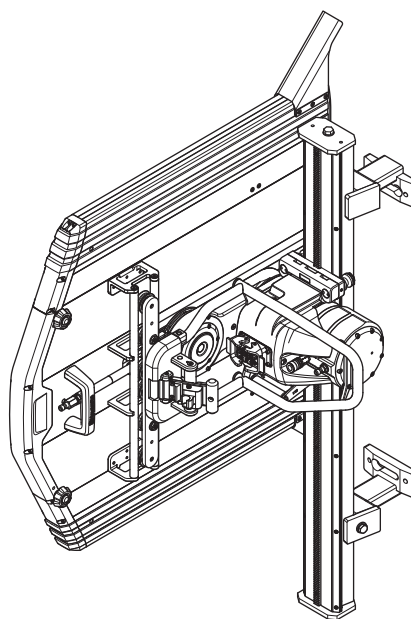
Diseño y funciones

La WS 220 es una cortadora de muros montada en rieles utilizada con discos de diamante segmentados para cortar materiales duros como hormigón armado, piedra y ladrillo. Durante el desarrollo de la WS 220, se ha prestado gran atención al peso y la facilidad de uso del producto con objeto de mejorar y simplificar el entorno de trabajo del operario. Gracias a su reducido peso, diseño compacto y potente motor de alta frecuencia, la cortadora de muros WS 220 es capaz de afrontar la mayoría de los trabajos. Esta cortadora está diseñada para discos de 600-900 mm y puede cortar paredes de un grosor de hasta 390 mm. El sistema de corte se almacena en un carro de transporte compacto que facilita su traslado al lugar de trabajo.

La cortadora de muros está diseñada para cortar materiales duros como el hormigón o refuerzos y no debe utilizarse para fines distintos a los descritos en este manual. El usuario debe leer este manual detenidamente para garantizar un funcionamiento seguro del producto. Póngase en contacto con su concesionario o con Husqvarna si necesita más información.

A continuación se describen algunas de las características únicas de su producto.

WS 440 HF



Esperamos que su máquina le proporcione plena satisfacción y le sirva de ayuda por mucho tiempo en adelante. Tenga en cuenta que este manual de instrucciones es un documento de valor. Siguiendo sus instrucciones (de uso, servicio, mantenimiento, etcétera) puede alargar considerablemente la vida útil de la máquina e incrementar su valor de reventa. Si vende su máquina, entregue el manual de instrucciones al nuevo propietario.

La adquisición de alguno de nuestros productos da acceso a asistencia profesional con reparaciones y servicio. Si la máquina no fue adquirida en un distribuidor oficial, preguntar en la tienda de compra la dirección del taller de servicio más cercano.

Husqvarna Construction Products se esfuerza constantemente por mejorar la construcción de sus productos. Por consiguiente, Husqvarna se reserva el derecho a introducir modificaciones de diseño sin previo aviso y sin compromisos ulteriores.

Generalidades

- El eficaz motor con refrigeración hidráulica transmite una impactante potencia de 13 kW al husillo, aunque la sierra pese solo 25 kg (55 lb).
- La velocidad del eje se controla y se ajusta de manera electrónica mediante el control remoto de la unidad de alimentación.
- Reduzca la distancia entre el disco y la banda de rodadura para que el corte sea más recto.
- Embrague deslizante para todas las piezas móviles
- El sentido de rotación de la hoja puede controlarse con el control remoto, que permite elegir el sentido del agua pulverizada.
- Equipada con freno de hoja automático que detiene la hoja en pocos segundos.

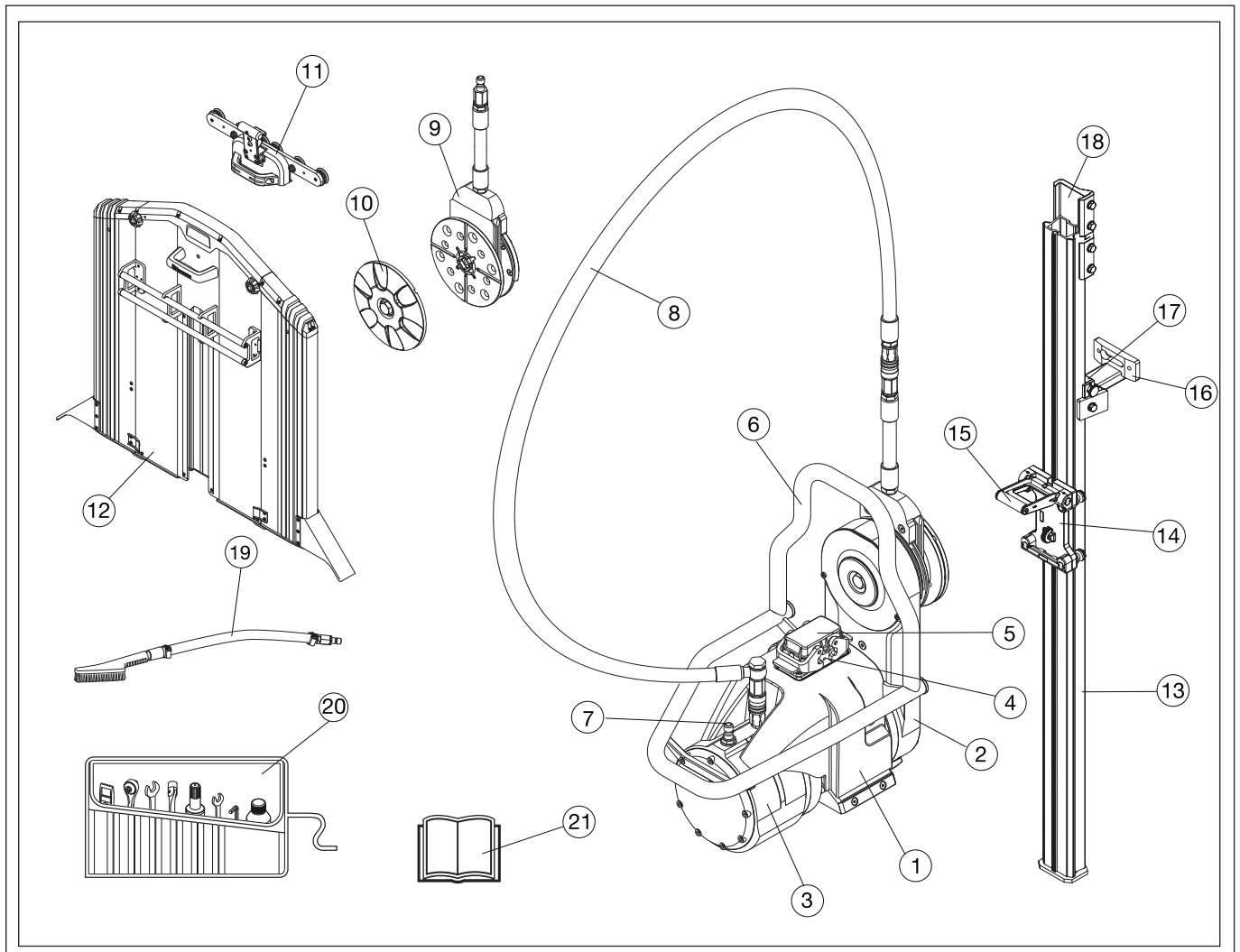
Un equipo de sierra completo consta de:

- Una unidad de sierra
- Un riel de 1,2 m + carro de la sierra
- Un riel de 2 m + carro de la sierra
- Cuatro soportes de pared
- Un soporte de riel
- Un empalme
- Una protección de disco de 800 ó 1.000
- Una guía de protección de disco
- Un juego de herramientas
- Una botella con aceite Husqvarna 220
- Cajas de transporte para las diferentes unidades.
- Cepillo de limpieza
- Tornillos para corte liso.

El riel corto y el riel largo tienen un carro montado en fábrica para facilitar al máximo posible el corte.

Dado que una gran parte del trabajo de corte consta de transportes, el equipo de sierra se entrega en unas cajas especiales. Las cajas proporcionan una buena protección durante el transporte y reducen el número de bultos a desplazar entre los lugares de trabajo, con lo que se aumenta la eficacia.

¿QUÉ ES QUÉ?



¿Componentes de la sierra de pared?

- | | | | |
|----|---|----|-------------------------------|
| 1 | Unidad de sierra | 12 | Protección del disco de corte |
| 2 | Brazo de corte | 13 | Riel |
| 3 | Motor de propulsión, disco | 14 | Carro de la sierra |
| 4 | Conexión del cable | 15 | Empuñadura de bloqueo |
| 5 | Cubierta protectora | 16 | Soportes de pared |
| 6 | Soporte de la protección del disco / empuñadura | 17 | Soporte del riel |
| 7 | Conexión de la manguera, entrada de agua | 18 | Conector |
| 8 | Manguera de agua | 19 | Cepillo de limpieza |
| 9 | El cubo de brida de disco | 20 | Juego de herramientas |
| 10 | Brida exterior de acoplamiento de discos | 21 | Manual de instrucciones |
| 11 | Guía de la protección del disco | | |

EQUIPO DE SEGURIDAD DE LA MÁQUINA

Generalidades

En este capítulo se describen los componentes de seguridad de la máquina, su función y el modo de efectuar el control y el mantenimiento para garantizar un funcionamiento óptimo. En cuanto a la ubicación de estos componentes en su máquina, vea el capítulo Qué es qué.



¡ATENCIÓN! Nunca utilice una máquina con componentes de seguridad defectuosos. El equipo de seguridad se debe controlar y mantener. Ver las instrucciones del capítulo Control, mantenimiento y servicio del equipo de seguridad de la máquina. Si el control de la máquina no da resultado satisfactorio, hay que acudir a un taller de servicio para la reparación.

Protección del disco de corte

La protección de la hoja debe utilizarse siempre que se efectúe un corte. Asegúrese de que la protección de la hoja funcione y de que las secciones exteriores se puedan bloquear. Compruebe también que la guía de la protección de la hoja esté ajustada correctamente y que el mecanismo de bloqueo de dicha guía de la sierra funciona (consulte el apartado de ajuste de la guía de la protección de la hoja). Asegúrese de que la hoja no esté en contacto con la protección, sino que esté situada en el centro de la misma.

Empuñadura de bloqueo

Asegúrese de que la manivela de cierre del soporte de la sierra está configurado de manera correcta (consulte el apartado de ajuste del soporte de la sierra), de modo que la sierra esté colocada de manera segura en el soporte. Compruebe que el pasador de bloqueo se pueda introducir por completo en el orificio de la manivela cuando se encuentre en la posición de bloqueo.

Tope del riel

Asegúrese de que los topes estén montados en los extremos de los rieles, de modo que la sierra no los supere.

Unidad de alimentación

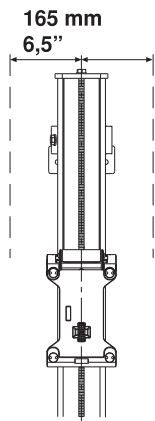
Compruebe el equipo de seguridad de la unidad de alimentación suministrada. Consulte el manual de la unidad de alimentación.

MONTAJE Y AJUSTES

Riel y accesorios del soporte de pared

Procedimiento de montaje del soporte de pared:

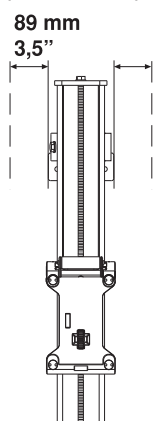
- 1 Marque la línea de corte y los agujeros para pernos de expansión a 165 mm (6,5") de la línea de corte.



- 2 Taladre agujeros de 15 mm (5/8") para los pernos de expansión M12 (1/2").
- 3 Cuelgue los soportes de pared sueltos en los pernos de expansión: se recomienda M6S 12 x 70 (1/2"x2").
- 4 Ponga el riel entre los soportes de pared y apriete las arandelas de fijación.

Para cortes verticales, coloque el riel con la palanca de bloqueo del carro de la sierra hacia arriba. Así se facilita el ajuste de la unidad de serrado.

- 5 Compruebe que el riel está bien alineado con las bandas en los soportes de pared antes de apretar los tornillos.
- 6 Ajuste la distancia entre el corte y el soporte de pared. La distancia entre el borde del soporte de pared y el borde interior del corte debe ser de 89 mm (3,5"). Apriete el perno de expansión.



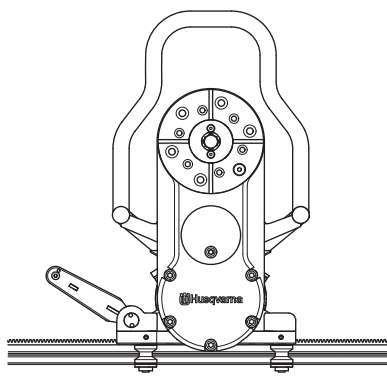
¡IMPORTANTE! Use solamente el empalme incluido en la entrega de la sierra, puesto que los empalmes antiguos no están adaptados para la serie WS 400.

Instalación del carro y de la sierra

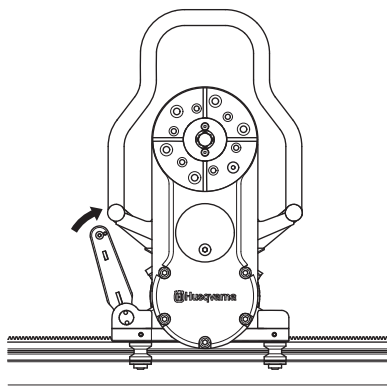


El carro de la sierra se recibirá montado en el riel. Para desmontar el carro del riel, retire el tope y a continuación extraiga el carro del riel.

- 1 Monte el cuerpo de sierra en el carro, elevándolo y colocándolo en su sitio. Cuando se coloca la sierra en su sitio, la empuñadura de bloqueo sube a una posición intermedia. En esta posición, la sierra permanece suspendida en el carro sin que sea necesario sujetarla. Sin embargo, no está lo suficientemente fijada para cortar.



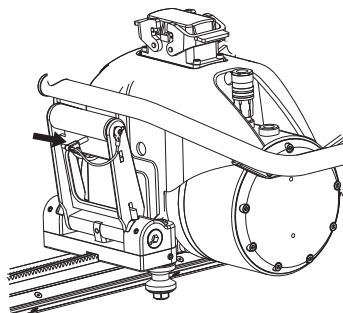
- 2 Para fijar la sierra, eleve la empuñadura de bloqueo hacia la misma hasta que quede bloqueada.



¡ATENCIÓN! El corte sin que la sierra esté bien fijada en el carro y el riel comporta peligro de muerte.

Bloqueo de la manivela

Bloquee la manivela con el pasador.



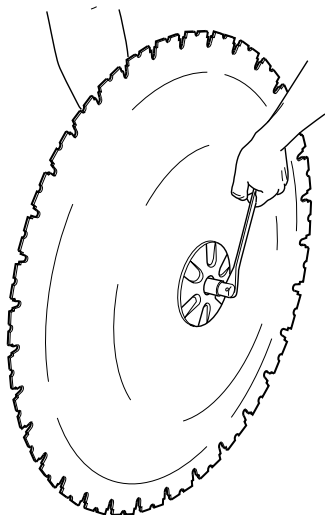
MONTAJE Y AJUSTES

Monte el disco

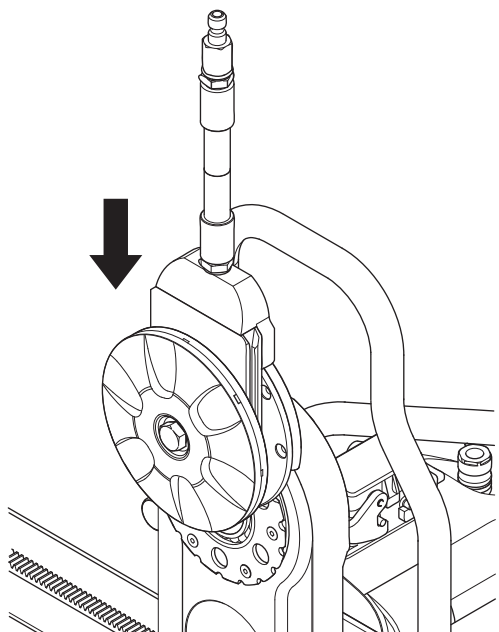


¡ATENCIÓN! Nunca monte ni desmonte el disco ni el protector del disco sin haber desconectado antes el cable que va hasta la unidad de serrado. La utilización del equipo sin el debido cuidado puede causar lesiones graves e incluso la muerte.

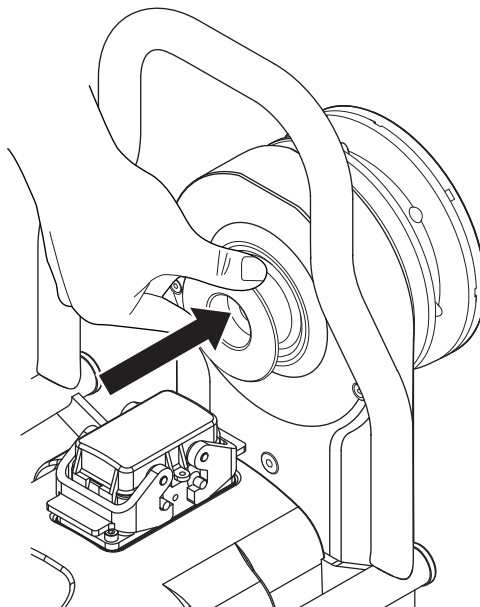
- 1 Empiece limpiando toda la suciedad de las superficies de contacto de la brida de disco y del disco.
- 2 Compruebe el sentido de rotación del disco. La hoja girará con la parte visible de diamante siguiendo la dirección de rotación de la hoja. Puesto que puede seleccionar el sentido de rotación de la hoja, la pulverización de agua también puede seleccionarse independientemente de como esté colocada la sierra en el riel.
- 3 Atornille la brida de disco exterior, el disco y el cubo de brida de disco (par de apriete, 70-80 Nm).



- 4 Fije el disco suspendido con una brida de disco montada y el cubo de brida de disco en el brazo de corte (el disco no está ilustrado en la figura).



- 5 Gire cuidadosamente el cubo de brida de disco de manera que se deslice en uno de los rieles del brazo pivotante y alcance la posición correcta para atornillarlo.
- 6 Inserte a presión el eje del disco en el brazo de corte, girando con cuidado al mismo tiempo el disco. Cuando ya no se pueda seguir presionando a mano el eje del disco, apriételo con la llave 18 incluida en la entrega hasta que esté bien fijado (par de apriete, 70-80 Nm).

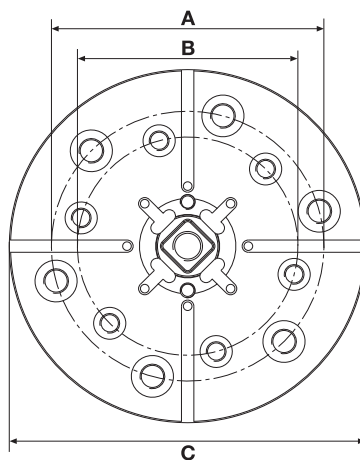


¡ATENCIÓN! Monte el disco minuciosamente para que no haya riesgo de que se suelte al cortar. La utilización del equipo sin el debido cuidado puede causar lesiones graves e incluso la muerte.

Corte liso



Desatornille la brida de disco exterior y monte el disco en el cubo de brida de disco.



A = 110 mm / 4,33 in, 6 M10

B = 89 mm / 3,5 in, 6 M8

C = 144 mm / 5,7 in

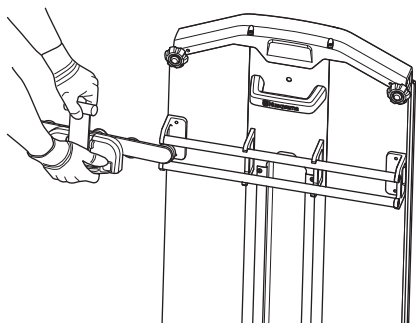
MONTAJE Y AJUSTES

Monte la protección del disco

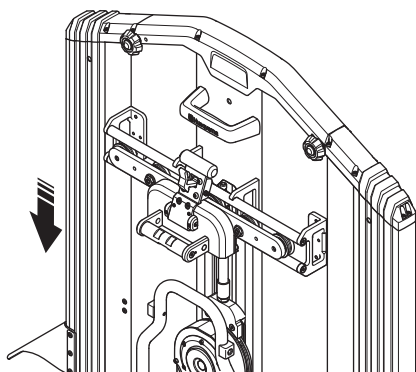


¡ATENCIÓN! Nunca monte ni desmonte el disco ni el protector del disco sin haber desconectado antes el cable que va hasta la unidad de serrado. La utilización del equipo sin el debido cuidado puede causar lesiones graves e incluso la muerte.

- 1 Deslice la guía del protector del disco entre los tirantes del protector del disco. Coloque la guía del protector del disco en el centro. Cierre el talón de plástico de la manivela sobre el tirante superior del protector del disco.

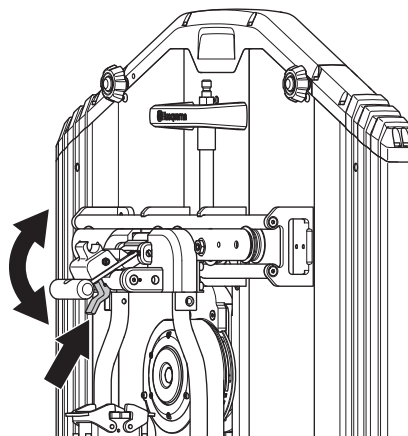


- 2 Asegúrese de que el brazo pivotante se encuentra en posición vertical. Coloque la protección sobre el disco y cuélguela en su soporte en la sierra. Procure que las guías deslizantes de la protección del disco entren en las ranuras de los bloques de agua.



- 3 Bloquee el protector de la hoja tirando de la palanca hacia fuera del protector y después hacia abajo (hacia la unidad de serrado), hasta que el pestillo bloquee la palanca.

- 4 Para quitar el protector, suelte el pestillo y tire de la palanca hacia arriba y hacia el interior hasta el protector. Bloquee el talón de plástico sobre el tirante superior.



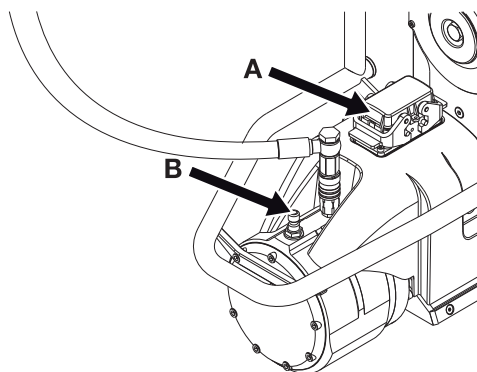
- 5 Conecte la manguera de agua procedente de la conexión exterior de la motor de serrado a la conexión interior del cubo de brida de disco.

Conecte la unidad eléctrica

¡IMPORTANTE! Esta máquina está pensada para utilizarse con las unidades de alimentación PP 440 HF y PP 480 HF de Husqvarna. Está prohibida cualquier otra aplicación.

Lea el manual de instrucciones suministrado con la unidad eléctrica antes de utilizar la máquina.

Una vez instalados la unidad de serrado, la hoja y el protector de la hoja, deberá conectar el cable de alimentación (A) y el sistema de refrigeración hidráulica (B) a la unidad.

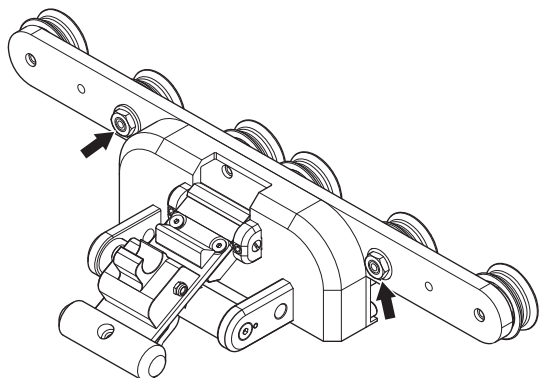


Una vez conectado el cable a la sierra, debe conectarse el mosquetón del cable a la sierra para evitar presión en el enchufe durante el funcionamiento. El mosquetón debe fijarse a uno de los orificios del soporte de la manivela atornillada a la parte posterior del motor de accionamiento.

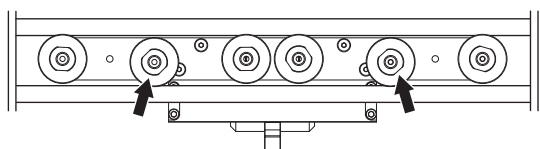
MONTAJE Y AJUSTES

Ajuste de la guía de la protección de la hoja

- Afloje las tuercas de las dos ruedas guía ajustables.



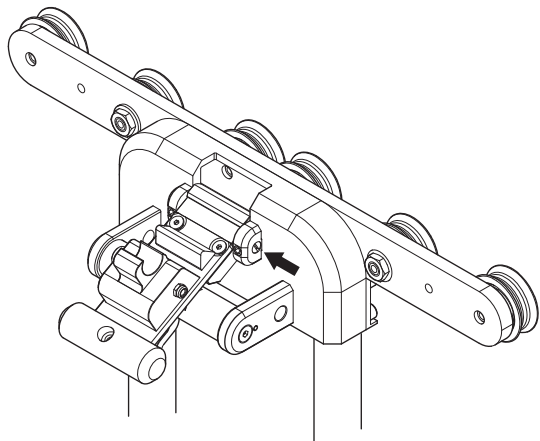
- Coloque la guía de la protección de la hoja en la protección.
- Gire los ejes de la leva excéntrica con una llave de 22 mm hasta que las ruedas guía entren en contacto con el riel.



- Fije el eje en esa posición con una llave de 22 mm y apriete la tuerca con una llave de 16 mm.
- Asegúrese de que las ruedas giren completamente y de que no haya un espacio en la guía de la protección de la hoja.

Ajuste de la manivela de cierre de la guía de la protección de la hoja

- Coloque la guía de la protección de la hoja en la sierra.
- Afloje los dos tornillos limitadores con una llave Allen de 3 mm.
- Ajuste la manivela de cierre girando el eje de la leva excéntrica con un destornillador hasta que la manivela se tense alrededor del soporte de la protección de la hoja.



- Apriete los dos tornillos limitadores con una llave Allen de 3 mm.
- Retire los cuatro tornillos que fijan el cierre a presión con una llave Allen de 4 mm.

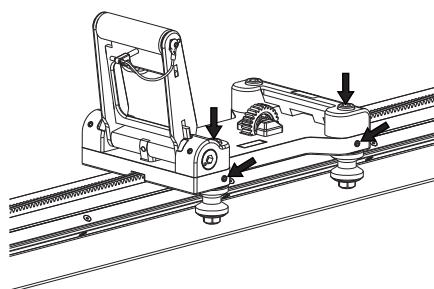
- Ajuste el cierre a presión. El cierre a presión debe apretarse alrededor del riel superior.
- Apriete los cuatro tornillos que fijan el cierre a presión con una llave Allen de 4 mm.

Ajuste de las ruedas de guía

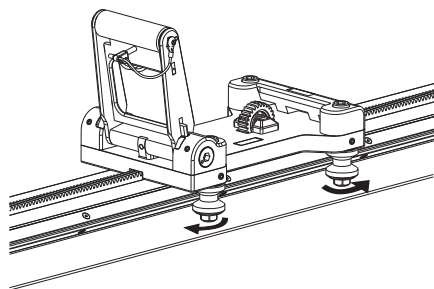
Para que la sierra funcione de forma estable y haga cortes rectos, es necesario que las cuatro ruedas de guía estén en contacto con el riel, sin huelgo.

Compruebe las ruedas guía antes de cada corte. Si el carro tiene huelgo en el riel, hay que ajustar las ruedas de guía:

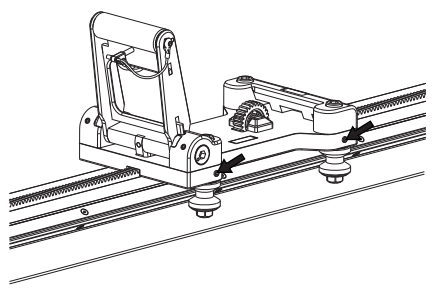
Afloje los dos tornillos de cabeza hexagonal M10 con una llave Allen de 8 mm. Afloje también los dos tornillos limitadores que fijan las ruedas guía excéntricas con una llave Allen de 3 mm.



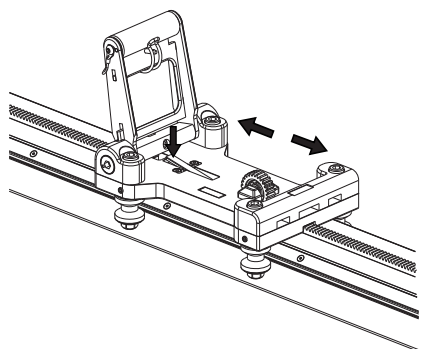
Gire levemente los ejes con una llave de 16 mm hasta que las ruedas guía reposen sobre el riel.



Mantenga la posición de la llave de 16 mm y apriete los dos tornillos limitadores con una llave Allen de 3 mm.

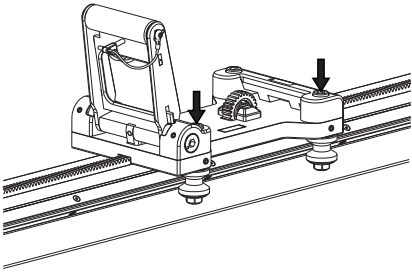


Presione el dispositivo de bloqueo y tire manualmente del soporte de la sierra en ambas direcciones. El soporte debería deslizarse fácilmente, sin apenas oponer resistencia. Deberían girar las cuatro ruedas guía.



MONTAJE Y AJUSTES

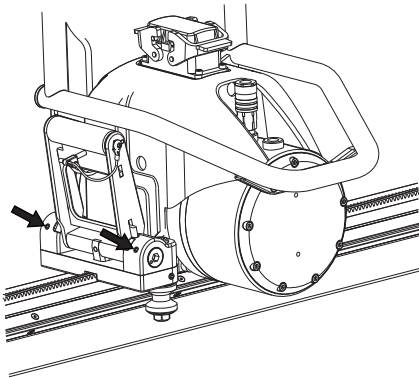
Apriete los tornillos con una llave Allen de 8 mm. Repita el paso anterior.



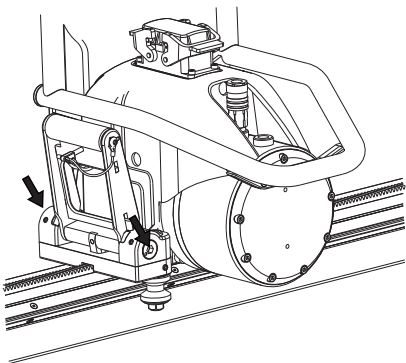
Ajuste la sierra en el carro

Puesto que la sierra se desgasta, después de un determinado número de horas de empleo puede ser ventajoso asegurarse de que la unidad de sierra está montada firmemente en el carro y el riel. De no ser así, es probable que sea necesario ajustar la empuñadura:

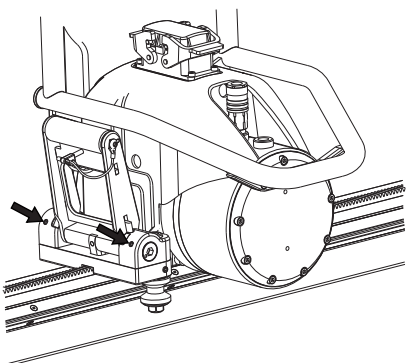
Afloje los dos tornillos limitadores con una llave Allen de 3 mm.



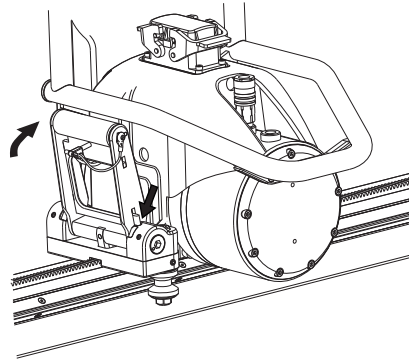
Gire los dos manguitos excéntricos con una llave Allen de 8 mm hasta que el eje esté bien apretado y en paralelo respecto a la sierra.



Apriete los dos tornillos limitadores con una llave Allen de 3 mm.



Asegúrese de que la manivela de cierre esté ajustada de manera adecuada abriéndola y cerrándola y compruebe que el cierre con resorte esté en la posición de bloqueo.



Asegure la manivela de cierre con el pasador de bloqueo.

FUNCIONAMIENTO

Equipo de protección

Generalidades

No use nunca una máquina si no tiene posibilidad de pedir auxilio si se produce un accidente.

Equipo de protección personal

Para trabajar con la máquina debe utilizarse un equipo de protección personal homologado. El equipo de protección personal no elimina el riesgo de lesiones, pero reduce su efecto en caso de accidente. Pida a su distribuidor que le asesore en la elección del equipo.



¡ATENCIÓN! El uso de productos que cortan, pulen, taladran, alisan o forman materiales puede generar polvo y vapores que pueden contener sustancias químicas dañinas.

Averiguar la composición del material con que se trabaja y usar una máscara respiratoria adecuada.

La exposición prolongada al ruido puede causar daños crónicos en el oído. Por consiguiente, use siempre protectores auriculares homologados. Cuando use protección auditiva preste siempre atención a las señales o llamados de advertencia. Sáquese siempre la protección auditiva inmediatamente después de parar el motor.

Existe siempre riesgo de accidentes por apriete al trabajar con aparatos con piezas móviles. Usar guantes protectores para evitar lesiones.

Utilice siempre:

- Casco protector homologado
- Protectores auriculares
- Gafas protectoras o visor
- Máscara respiratoria
- Guantes resistentes de agarre seguro.
- Prendas de vestir ceñidas, resistentes y cómodas que permitan una libertad de movimientos total.
- Botas con puntera de acero y suela antideslizante.

Tener en cuenta que las ropas, el pelo largo y las joyas pueden atascarse en piezas móviles.

Otros equipos de protección



¡ATENCIÓN! Mientras trabaja con la máquina, pueden producirse chispas que podrían ocasionar un incendio. Tenga siempre a mano herramientas para la extinción de incendios.

- Herramientas para la extinción de incendios
- Tenga siempre a mano el equipo de primeros auxilios.

Instrucciones generales de seguridad



¡ATENCIÓN! Lea todas las advertencias e instrucciones de seguridad. No atender a estas advertencias e instrucciones puede provocar descargas eléctricas, incendios y lesiones graves.

Este apartado trata las normas de seguridad básicas para trabajar con el dispositivo. Esta información no sustituye en ningún caso los conocimientos y la experiencia de un profesional. Si se encuentra en alguna situación que le haga sentirse inseguro, deténgase y consulte con un experto. Consulte a su distribuidor, al taller de servicio técnico o a un usuario experimentado. No emplee la máquina en aplicaciones para las que no se considere plenamente cualificado.

- Lea detenidamente el manual de instrucciones y asegúrese de entender su contenido antes de utilizar la máquina.
- Esta máquina está pensada para utilizarse con las unidades de alimentación PP 440 HF y PP 480 HF de Husqvarna. Está prohibida cualquier otra aplicación.
- Lea el manual de instrucciones suministrado con la unidad eléctrica antes de utilizar la máquina.
- La máquina puede ocasionar lesiones graves. Lea atentamente las instrucciones de seguridad. Aprenda a utilizar la máquina.
- Esta máquina está diseñada y prevista para serrar hormigón, ladrillos y distintos tipos de piedra. Cualquier otro uso se considerará inadecuado.
- Debe tenerse en cuenta que el operador es responsable de los accidentes o riesgos que ocurran a otras personas o a su propiedad.
- Todos los operadores deben ser formados en el empleo de la máquina. El propietario es responsable de la formación de los operadores.
- La máquina debe mantenerse limpia. Los letreros y las pegatinas deben ser legibles en su totalidad.



¡ATENCIÓN! La máquina, si se utiliza de forma errónea o descuidada, puede ser una herramienta peligrosa que puede causar daños graves e incluso la muerte al usuario y a otras personas.

No permita bajo ningún concepto el empleo o mantenimiento de la máquina por los niños u otras personas no instruidas en el manejo de la misma. Nunca deje que terceros utilicen la máquina sin asegurarse primero de que hayan entendido el contenido de este manual de instrucciones.

Nunca utilice la máquina si está cansado, si ha ingerido alcohol o si toma medicamentos que puedan afectar la vista, su capacidad de discernimiento o el control del cuerpo.

FUNCIONAMIENTO

¡ATENCIÓN! Las modificaciones y/o el uso de accesorios no autorizados comportan riesgo de daños personales graves y peligro de muerte para el usuario y otras personas.

No modifique nunca esta máquina de forma que se desvíe de la versión original, y no la utilice si parece haber sido modificada por otras personas.

No utilice en ningún caso una máquina, batería o cargador de batería defectuoso. Siga las instrucciones de mantenimiento, control y servicio de este manual. Algunas medidas de mantenimiento y servicio deben ser efectuadas por especialistas formados y cualificados. Consulte las instrucciones en el título Mantenimiento. Utilice piezas originales exclusivamente.

Seguridad en el trabajo

No utilice la máquina sin haber leído y comprendido el contenido de este manual de instrucciones.

Seguridad en el área de trabajo

- Controle siempre la parte posterior de la pared en la que sale la sierra al penetrar. Impida el acceso cercando y asegúrese de que no haya riesgo de daños personales o materiales.
- Averigüe y marque siempre la ubicación del trazado de las tuberías de gas. El corte cerca de las tuberías de gas siempre es peligroso. Procure que no se generen chispas al cortar, debido al riesgo de explosión. Trabaje concentrado en su tarea. La negligencia comporta riesgo de daños personales graves y peligro de muerte.
- Asegúrese de que no haya tuberías o cables eléctricos en la zona de trabajo o en el material que vaya a cortar.
- Compruebe que los cables eléctricos que haya en el área de trabajo no tengan tensión.
- Cerciórese de que ninguna persona ni animal se aproxime más de 4 m (15 ft) a la máquina cuando la misma esté en funcionamiento.
- No usar en condiciones climáticas desfavorables. Por ejemplo, niebla densa, lluvia, viento fuerte, frío intenso, etc. Trabajar con mal tiempo es cansador y puede crear condiciones peligrosas, por ejemplo suelo resbaladizo.
- Controle que la zona de trabajo esté bien iluminada para lograr un entorno seguro.
- Cerciórese siempre de tener una posición de trabajo segura y firme.

Seguridad eléctrica



¡ATENCIÓN! Existe siempre riesgo de sacudidas eléctricas al usar máquinas eléctricas. No usar la máquina en condiciones climáticas desfavorables y evitar el contacto del cuerpo con pararrayos y objetos metálicos. Seguir siempre las instrucciones del manual para evitar daños.

- No lleve nunca la máquina agarrando el cable y no tire del cable para desenchufarla.
- Mantenga todos los cables apartados del agua, el aceite y los bordes agudos. Proceda con cuidado para evitar que el cable se enganche en puertas, vallas o similares. Hay riesgo de cargar objetos con electricidad.
- Compruebe que los cables están intactos y en buen estado. Utilice el cable proporcionado para el uso externo.
- Si se daña un cable, no utilice la máquina. Llévela a reparar a un taller de servicio oficial.
- La máquina se debe enchufar a un enchufe con masa.
- Compruebe que la tensión de red concuerda con la que se indica en la placa de características de la máquina.

Seguridad personal

- No abandonar nunca la máquina sin vigilar, con el motor en marcha.
- Nunca utilice la sierra sin tener al alcance el botón de parada de emergencia del control remoto o de la unidad eléctrica. Consulte el manual de la unidad eléctrica.
- Al trabajar con las máquinas, procure siempre que haya alguien cerca, que pueda prestar ayuda en caso de accidente.
- Las personas que deban permanecer cerca deben usar protectores auriculares porque el nivel sonoro al cortar es superior a 85 dB(A).
- Proceda con cuidado en las elevaciones. Las piezas son pesadas, por lo que hay riesgo de daños por apriete y daños personales de otro tipo.
- Las personas y los animales pueden distraer y hacer perder el control de la máquina. Por consiguiente, el operador debe estar siempre concentrado en su trabajo.
- Tener en cuenta que las ropas, el pelo largo y las joyas pueden atascarse en piezas móviles.

FUNCIONAMIENTO

Uso y cuidado

- Compruebe que la protección del disco no esté rota y que está correctamente montada.
- Nunca utilice discos de corte distintos a los discos originales destinados a la máquina. Consulte con su distribuidor de Husqvarna acerca del disco más adecuado para su aplicación.
- No utilice nunca un disco de corte dañado o gastado.
- Nunca monte ni desmonte el disco ni el protector del disco sin haber desconectado antes el cable que va hasta la unidad de serrado.
- Nunca desconecte el cable sin desconectar antes la unidad eléctrica y esperar a que la máquina se detenga por completo.
- No corte nunca sin utilizar el protector.
- Asegúrese de que el disco no toca en ningún objeto al arrancar la máquina.
- Manténgase alejado del disco mientras el motor esté en marcha.
- Debe emplearse siempre refrigeración por agua. Así se enfrían los discos de corte, se aumenta su durabilidad y se reduce la formación de polvo.
- Compruebe que todas las juntas, conexiones y cables están intactos y limpios.
- Antes de empezar a cortar, todos los cortes que se van a hacer deben marcarse con claridad y planificarse para que se puedan hacer sin riesgo de dañar a personas o la máquina.
- Sujete o ancle con firmeza los bloques de hormigón antes de cortarlos. El elevado peso del material cortado puede causar daños materiales y lesiones personales graves si no se puede mover en condiciones controladas.

Transporte y almacenamiento

- Desconecte siempre la unidad eléctrica y el cable eléctrico antes de mover el equipo.
- Desmonte el disco y el protector del disco antes de transportar y almacenar el equipo.
- Guarde el equipo en un lugar seguro fuera del alcance de los niños y las personas no autorizadas.
- Si existe riesgo de congelación, drene el agua refrigeradora restante del dispositivo.
- Utilice las cajas suministradas para guardar el equipo.

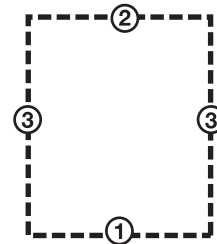
Técnica básica de trabajo



- Empiece siempre cortando un surco de guía. Esto se hace insertando el disco 3-7 cm (1,2"-2,8"). A continuación, corte el surco de guía. El corte no se debe hacer a velocidad máxima, sino de forma cuidadosa para conseguir un corte recto y facilitar así el corte siguiente. El brazo de corte permite utilizar discos de hasta 1000 mm (40 in) como disco de inicio. Sin embargo, se aconseja comenzar a cortar con un disco de 800 mm (31,5 in).
- Cuando esté terminado el corte de guía, se pueden hacer cortes más profundos. La profundidad de los mismos se determina según el caso y depende de factores como la dureza del hormigón, la presencia de hierros de armadura, etc. El diámetro máximo del disco para los cortes más profundos es de 1200 mm (47 in).
- Si cambia los discos para que trabajen a mayor profundidad en el mismo corte, asegúrese de que el grosor del disco se corresponda con el ancho del surco.
- Deje que la máquina trabaje sin forzar ni presionar el disco.
- Sujete o ancle con firmeza los bloques de hormigón antes de cortarlos. El elevado peso del material cortado puede causar daños materiales y lesiones personales graves si no se puede mover en condiciones controladas.

Tronzado de bloques

- Primero, haga el corte horizontal inferior. A continuación, haga el corte horizontal superior. Finalmente, haga los dos cortes verticales.



- Si el corte horizontal superior se hace antes del corte horizontal inferior, la pieza de trabajo cae sobre el disco y lo aprieta.
- Cuando realice el último corte, la sierra deberá instalarse en una pared fija adyacente.
- Dado que el riel es simétrico, la unidad de serrado puede girarse para realizar un nuevo corte en el otro lado del riel. De esta manera, se obtendrá una pieza de corte con un tamaño fácilmente manejable, lo que hará que sea más sencillo retirarla del lugar del trabajo.
- Puesto que puede seleccionar el sentido de rotación de la hoja, la pulverización de agua también puede seleccionarse independientemente de como esté colocada la sierra en el riel.

ARRANQUE Y PARADA

Antes del arranque

- Cerque el área en que va a cortar para impedir la entrada de personas ajenas al trabajo y evitar el riesgo de que sufran daños y que le estorben en el trabajo.
- Asegúrese de que ni el disco ni el protector estén dañados o agrietados. Sustituya el disco o el protector si han sufrido golpes o están agrietados.
- Compruebe que todos los cables y el suministro de agua están correctamente conectados a la máquina antes de arrancarla.
- Si el corte se va a iniciar en un lugar distinto al que se encuentra la unidad de sierra, ponga la unidad en la posición de arranque.

Arranque

Siga las instrucciones de arranque proporcionadas en el manual que acompaña la unidad eléctrica.

Parada

- Cuando termine el corte, saque el disco de la pared y desactive la rotación del disco y el flujo de agua.
- Apague la unidad eléctrica.

Desmontaje de la sierra

- 1 Espere a que el motor se pare totalmente.
- 2 Desconecte la unidad de la alimentación.
- 3 Apague y desconecte la entrada de agua de la unidad eléctrica.
- 4 Desconecte el cable de alimentación y la manguera de agua de la unidad de serrado.
- 5 Las demás medidas se hacen en orden inverso al montaje.

Limpieza

Después de cortar hay que limpiar la sierra. Es importante limpiar todo el equipo. Para limpiar la sierra, se recomienda utilizar el cepillo de limpieza facilitado conectándolo a la manguera de agua.

¡IMPORTANTE! No utilice un equipo de limpieza a alta presión para limpiar la sierra.

MANTENIMIENTO

Servicio

¡IMPORTANTE! Las reparaciones de todo tipo deben ser efectuadas por técnicos autorizados, únicamente. De este modo se evita someter a los operadores a grandes riesgos.

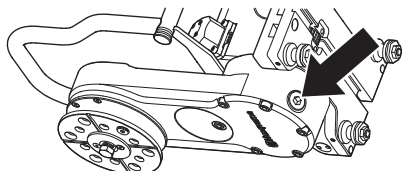
Después de 100 horas de funcionamiento, se mostrará el mensaje «Time for servicing» («Efectuar mantenimiento»). Deberá llevar el equipo a un distribuidor autorizado de Husqvarna para que efectúe el mantenimiento de la máquina.

Mantenimiento

¡IMPORTANTE! El control y/o mantenimiento de la máquina debe hacerse con el motor parado y el enchufe desenchufado.

Cambio del aceite del brazo de corte

- En el brazo de corte hay un tapón para vaciar el aceite. Este tapón se debe limpiar al cambiar el aceite. El aceite nuevo se pone por el agujero del tapón de aceite.

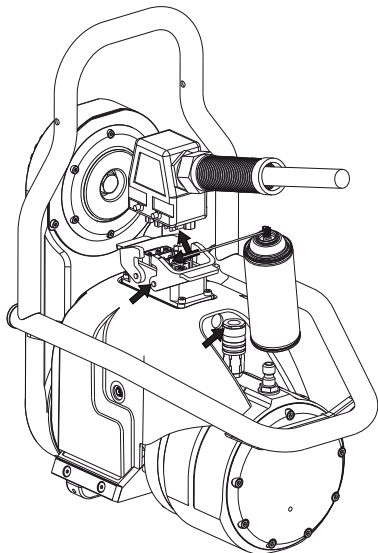


- El brazo de corte contiene 3 dl de aceite Husqvarna Oil 220: un aceite para engranajes tipo EP 220. El primer cambio de aceite se hace con ocasión del primer servicio. La entrega de la sierra nueva incluye una botella con 3 dl de aceite.

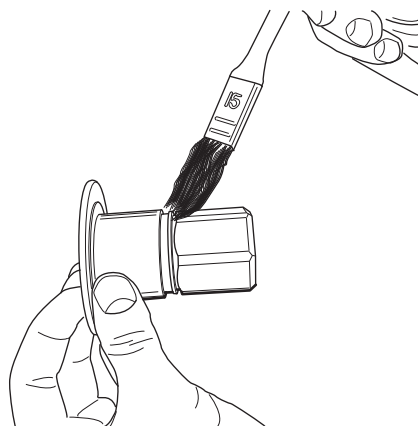
¡IMPORTANTE! El aceite de motor y de transmisión es nocivo para la salud y no debe verterse en el suelo o en el campo.

Mantenimiento diario

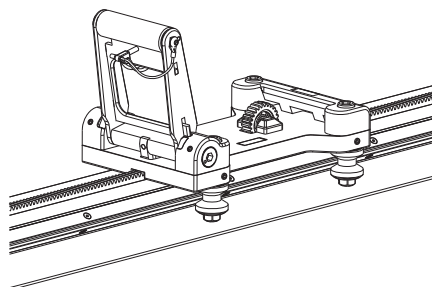
- Compruebe que todas las juntas, conexiones y cables están intactos y limpios. Utilice un cepillo o un paño para limpiarlo y lubrique los pasadores de contacto y los cierres con un aerosol de lubricación y limpieza. Asegúrese de que los contactos encajen los unos con los otros cuando se bloquean los cierres. Lubrique también los manguitos de acople de agua.



- A veces, es necesario limpiar y lubricar el eje de la hoja para colocarlo de una manera sencilla en la brida de acoplamiento de hojas. Compruebe a diario que el eje de la hoja gira completamente y que el hexágono no esté dañado.



- Compruebe que el soporte de la sierra esté ajustado adecuadamente respecto a las ruedas guía y que la manivela de cierre se haya ajustado correctamente. Consulte el apartado de ajuste para obtener instrucciones al respecto.



- Asegúrese de que la hoja y la protección de la misma no tengan grietas ni daños de otro tipo. Sustituya la protección de la hoja y / o la hoja si se han visto expuestas a un desgaste extraordinario. Compruebe también que la rueda guía de la protección de la hoja gire sin demasiada resistencia y que la guía esté alineada de manera adecuada con la protección de la hoja y la sierra. Consulte los apartados de montaje y ajustes.
- Compruebe que las mangueras y los cables estén intactos.
- Limpie la parte exterior de la máquina. No utilice un equipo de limpieza a alta presión para limpiar la sierra.

DATOS TECNICOS

WS 440 HF

Peso

Carro de la sierra, kg/lbs	3,7/8,2
Unidad de sierra, kg/lbs	25/55,1
Protección del disco 800 mm, kg/lbs	13/28,7
Protección del disco 1000 mm, kg/lbs	16/35,3
Riel 1200 mm (47") kg/lbs	9,5/20,9
Riel 2000 mm (79") kg/lbs	19

Tamaño del disco

Tamaño máx. del disco, mm / pulgadas	1200/47,2
Tamaño máx. del disco, mm / pulgadas	600/23,6
Disco de arranque máx., mm / pulgadas	1000/39,4

Profundidad máxima de la sierra, mm/pulgadas	530/20,9
--	----------

Motor impulsor del disco de la sierra	Ciclo alto de PM
Salida máx. del husillo, kW	13
Mecanismo de transmisión	Transmisión
Velocidad de salida, rpm	0-1225
Control / Sistema de alimentación	Eléctrico / automático

Par motor máx. en el disco de la sierra, Nm	125
Par de arranque, Nm	100

Temperatura máx. de la refrigeración hidráulica a 3,5 l/min, °C	25
Presión máx. de la refrigeración hidráulica, bar	7

Tipo de protección	IP 65
--------------------	-------

Emisiones de ruido (vea la nota 1)

Nivel de potencia acústica medido dB(A)	108
Nivel de potencia acústica garantizado L_{WA} dB(A)	109

Niveles acústicos (vea la nota 2)

Nivel de presión acústica en el oído del usuario, dB(A)	85
---	----

Nota 1: Emisiones sonoras en el entorno medidas como potencia sonora (L_{WA}) según la norma EN 15027/A1.

Nota 2: Nivel de presión sonora conforme a EN 15027/A1. Los datos referidos del nivel de presión sonora tienen una dispersión estadística habitual (desviación estándar) de 1,0 dB(A).

DATOS TECNICOS

Velocidad de la hoja recomendada



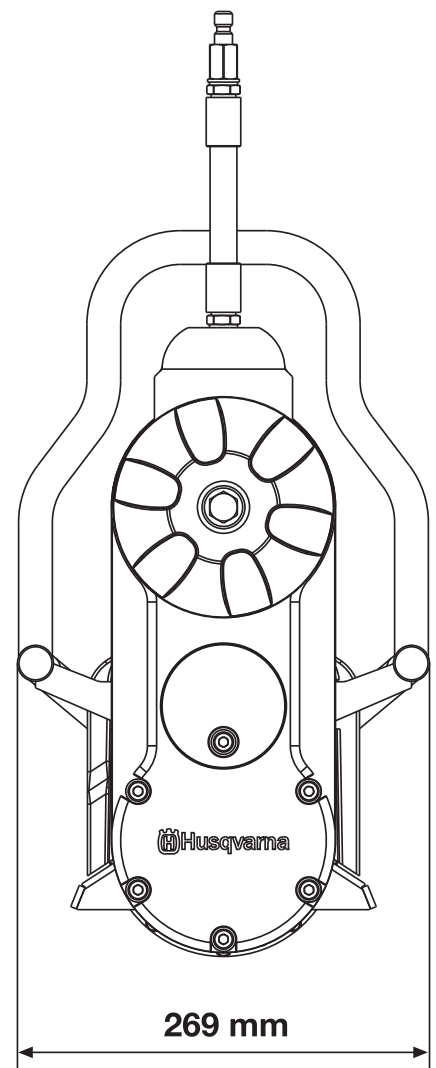
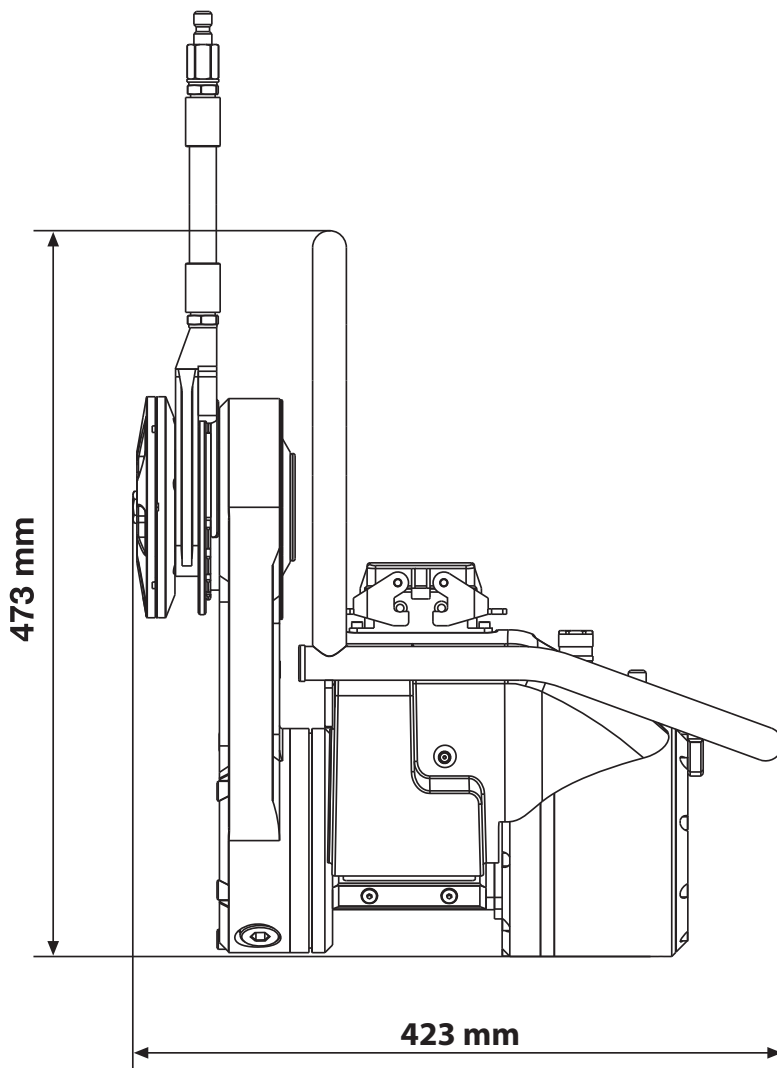
¡ATENCIÓN! Si corta a revoluciones demasiado elevadas puede causar daños a la hoja y daños personales.

Siga las recomendaciones del fabricante de la hoja acerca del material y la velocidad cuando elija una hoja. Deberá utilizarse una velocidad de hoja más baja al cortar en hormigón duro que al cortar en hormigón blando.

	600 mm (24")	800 mm (32")	1000 mm (40")	1200 mm (48")
600 r.p.m.				
700 rpm				
800 rpm				
900 rpm				
1000 rpm				
1100 rpm				
1200 r.p.m.				

Hormigón	
	Duro
	Medio
	Blando

Dimensiones



DATOS TECNICOS

Declaración CE de conformidad

(Rige sólo para Europa)

Husqvarna AB, SE-561 82 Huskvarna, Suecia, teléfono: +46-36-146500, declara por la presente que la sierra de pared **Husqvarna WS 440 HF**, a partir del número de serie del año 2010 en adelante (el año se indica textualmente en la placa de identificación, seguido del número de serie), cumple con las siguientes disposiciones de la DIRECTIVA DEL CONSEJO:

- **2006/42/CE** «relativa a máquinas» del 17 de mayo de 2006.
- **2004/108/CEE**, "referente a compatibilidad electromagnética", del 15 de diciembre de 2004.
- **2006/95/CE** del 12 de diciembre de 2006 relativa a equipos eléctricos.
- del 8 de junio de 2011 «sobre restricciones a la utilización de determinadas sustancias peligrosas» **(2011/65/UE)**

Se han aplicado las siguientes normas: EN ISO 12100:2010, EN 55014-1:2006, EN 55014-2/A1:2001, EN 61000-3-11:2000, EN 15027/A1:2009.

Göteborg, 12 de abril de 2015



Helena Grubb

Vicepresidente, maquinaria para la construcción

Husqvarna AB

(Presentante autorizado de Husqvarna AB y responsable de la documentación técnica.)

GB - Original instructions DE - Originalanweisungen
FR - Instructions d'origine ES - Instrucciones originales



1157648-38

2015-05-21